

SFB



嘉善宝林轴承有限公司
JIASHAN SFB BEARING CO., LTD.



企业简介

嘉善宝林轴承有限公司是一家专业致力于滚针轴承的开发、生产和销售的企业。公司位于素有鱼米之乡美称的浙江省嘉善县境内，东距上海虹桥机场60公里，西距杭州100公里，北临苏州80公里。地理位置优越，交通极其便捷。

本公司作为一家现代化滚针轴承的生产企业。主要生产HK、BK、SCE、SCH、B、F、HF、HFL、K、KZK、NA、NK、IR、AXK、AS、EWC等系列产品。广泛用于汽车，电子，机械等领域。80%以上出口欧美、日韩等国家和地区，也为国内各大厂商配套。

本公司技术力量雄厚、生产工艺先进、检测设备完善，有健全的质量保证体系，产品符合ISO标准，质量稳定可靠。

公司本着“诚信为本，质量第一”的理念，不断改进产品质量，不断开发新产品，来满足不同市场需求。竭诚与各界朋友合作、共谋发展。

热忱欢迎国内外新老客商洽谈合作！

Company Profile

Jiashan SFB Bearing Co., Ltd. is specialized in developing, producing and selling needle bearing. SFB has traffic advantage. we located in Jiashan, Zhejiang province. 80 KM to Shanghai Hongqiao airport on the east.

SFB is a leading manufacture for needle bearing. We focus on HK、BK、SCE、SCH、B、F、HF、HFL、K、KZK、NA、NK、IR、AXK、AS、EWC series bearing. Our products is widely used in automobile, electronic, mechanism and other fields. We export 80% of our products to Europe, US, Janpan and Corea. We supplier to the famous factories in domestic China as well.

With high technology, advanced working procedure, professional testing machine and well organized QC system, SFB presents products of stable quality and filfull ISO standard.

We bear in mind that: Honest is the basic of business, quality accounts the first place. SFB keep improve and develop products to meet the demands of different customer.

We would like to join hands with all friends in all of the world. Warmly welcome to build business with us!

目录

CATALOG

1	冲压外圈滚针轴承 1 Drawn cup needle roller bearings HK BK TA TLA TAM TLAM 4 SCE SCH BA BHA J JH 16 冲压外圈满装针滚针轴承 23 Drawn cup full complement needle roller bearing F FH MF MFH FY MFY B BH M-1,MH-1 冲压外圈有密封圈滚针轴承 32 Drawn cup needle roller bearing with ring HK...RS HK...2RS BK...RS	1 4 16 23 32
2	冲压外圈滚针离合器 35 Drawn cup needle roller clutch Drawn cup needle roller clutch assembly HF HFL RC RCB EWC	35
3	向心滚针和保持架组件 39 Radial needle roller and cage assemblies 向心滚针和保持架组件 40 Radial needle roller and cage assemblies K K...ZW K...D K...ZWD 长圆柱滚子和保持架组件 49 No collar slab roller and cage assemblies KNL 连杆用滚针和保持架组件 51 Rid-use needle roller and cage assemblies KZK KBK	39 40 49 51
4	实体套圈滚针轴承 56 Solid collar needle roller bearing 无内圈滚针轴承 有内圈滚针轴承 57 Needle roller bearings without inner ring Needle roller bearings with inner ring RNA NK NA NKI	56 57
5	内圈 69 Inner ring IR、LR IR LR	69
6	推力平面轴承 75 Thrust ball bearing with flat seat AS LS ZS TRA TRB TRC TRD	75
7	汽车轴承 81 Automobile bearings	81

冲压外圈滚针轴承 Drawn CUP Needle Roller Bearings

- ⊙ 冲压外圈滚针轴承采用优质钢板经精密冲压而成，外圈壁薄，具有径向截面积小，承载能力大，惯性小，制造经济等特点。是用于安装空间受到限制和壳体孔不宜作为滚道，轴承压入座孔后不需要再轴向定位。
- ⊙ 冲压外圈滚针轴承一般以轴径为内滚道，但根据使用条件也可选用合适的LR型的内圈配合使用。
- ⊙ 冲压外圈滚针轴承主要有带保持架和满装滚针两种结构，两种结构各又有穿孔型和封口型之分，有保持架的又有单面带密封圈与双面带密封圈等形式。满装滚针结构具有较大的承载能力。
- ⊙ SFB可提供本样本中所列标准和非标准公制尺寸。英制系列冲压外圈滚针轴承以及外圈有油孔、双列滚针、尼龙保持架、有内圈、有密封圈等特殊要求（订货时有特殊技术要求）高精度的冲压外圈滚针轴承
- ⊙ The outer ring of drawn cup needle roller bearing is punched with the high-quality steel sheet. The outer ring has thin wall. The drawn cup needle roller bearing has the characteristics of small radial section area, large load carrying capacity, less inertia and economic manufacture. It is suitable for small section height, or when the housing bore isn't used for raceway, this type is recommended to use. The bearing is assembled into the housing bore under a certain pressure without further axial location.
- ⊙ The drawn cup needle roller bearing generally takes its shaft diameter as the internal raceway. However, the proper LR type inner ring can be used in accordance with application condition.
- ⊙ The drawn cup needle roller bearing has two structures-with retainer and with full of needles. They are divided into open-end type and close-end type. The structure with retainer has the single seal ring and double seal ring. The structure with full of needles has a large load carrying capacity.
- ⊙ SFB can provide all drawn cup needle roller bearings listed in this catalogue, including standard size and non-standard metric size, and inch-series as well as the high-precision drawn cup needle roller bearings with special requirements such oil hole in outer ring, double-row needles, nylon retainer, inner ring, seal ring, etc. (special technical requirement on order).



轴承检验

根据ZBJ11020标准和世界各滚针轴承制造公司（日本NTN，KOYO，德国INA，美国TORRINGTON）对冲压外圈滚针轴承的检验规定：冲压外圈壁薄，热处理易变形，在安装前测量检验轴承外径毫无意义。测量检验时应使被测量轴承压入标准座孔后才能获得最终尺寸和几何精度。座孔尺寸偏差应符合推荐（见表1）。滚针内接圆直径近似在公差F8范围内。

Inspection of Bearings

In accordance with ZBJ11020 standard and inspection regulations of the world needle roller bearing manufacturing company (such as Japan NTN, KOYO, Germany INA, American TORRINGTON). Since the punched outer ring has thin wall and is easy to be deformed in heat treatment, it is unnecessary to inspect the outside diameter of bearing before installation. Only when the inspected bearing is pressed into the standard housing bore, the final size and geographic accuracy can be obtained. The tolerance of housing bore size shall be in conformity with regulations (see Table - 1). The inscribed circle diameter for needle roller will conform to the range of tolerance F8.

推荐的座孔和轴的公差 (Recommended Tolerance of and Housing Bore)

表1 (Table 1)

轴承座材料 (刚性轴承座) Material of bearing housing (Rigid Housing)	座孔公差 Housing Bore Tolerance	轴公差 Shaft Tolerance (table - 1)	
钢或铸铁 Steel or cast-iron	N6(N7)	无内圈 With inner ring	有内圈 Without inner ring
有色金属或座孔壁厚小于6mm Nonferrous metal or wall thickness of housing bore less than 6mm	R6(R7)	h5(h6)	k5(j6)

关于冲压外圈轴承的滚针内接圆直径偏差的正确的测量检查方法：

- 1.测量时应使被测量和标准件处于同一温度，测量的标准温度为20°C。
- 2.成套轴承滚针组单一最小内径的偏差 ΔF_{wmin} 的检查，是将轴承压入标准圈中用极限塞规检查。

The correct measuring method for tolerance of inscribed circle diameter of needle roller:

1. In measuring, the inspected bearing and standard part should be under same temperature. The standard temperature for inspection is 20°C.
2. As for the inspection of single minor inside diameter deviation F_{wmin} for package bearing roller set, it shall be inspected with limit plug gauge.

成套轴承滚针组单一最小内径的偏差按表2的规定

Deviation of single minor inside diameter in package bearing roller set specified in Table-2

表2 μm (Table 2)

滚针组公称内径 F_w (mm) Nominal Inside Diameter of Needle Roller Set F_w (mm)		$\Delta F_{wnin}=F_{wnin}-F_w$	
超过 (Over)	到 Upto	上差 (Upper Deviation)	下差 (Lower Deviation)
3	6	+28	+10
6	10	+31	+13
10	8	+34	+16
18	30	+41	+20
30	50	+50	+25
50		+60	+30

轴承单一宽度偏差 ΔC_s 统一规定为 $0_{-0.25}^0$ mm, 标准圈按表3规定

Bearing single width deviation ΔC_s is specified as $0_{-0.25}^0$ mm and the tolerance of standard ring is shown as Table -3

表3 mm (Table 3)

轴承公称外径 D (mm) Nominal Outside Diameter of Bearing D (mm)		轴承工程内径 Nominal Inside Diameter of Bearing	标准圈公差 μm Standard ring tolerance	标准圈壁厚 Standard ring wall thickness
超过 (Over)	到 (Up to)			
6	10	D-0.016	按GB1957中IT8公差级的规定 Specified according to IT8 of GB1957 Specified	大于或等于20 More than or equal to 20
10	18	D-0.020		
18	30	D-0.024		
30	50	D-0.028		
50	80	D-0.033		

塞规按表4规定

Insert Gauge according to the stipulation shown in Table - 4

表4 (Table 4)

轴承公称外径 FW(mm) Nominal Outside Diameter of Bearing FW(mm)		塞规公称外径 Nominal Outside Diameter of Insert Gauge		塞规公差 μm Tolerance of Insert Gauge μm
超过 (Over)	到 (Up to)	通端 (Go-end)	止端 (No-Go-end)	
3	6	FW+0.010	FW+0.030	按GB1957中IT7公差级的规定 In accordance with tolerance shown in GB1957 IT 7
6	10	FW+0.013	FW+0.033	
10	18	FW+0.016	FW+0.036	
18	30	FW+0.020	FW+0.043	
30	50	FW+0.025	FW+0.052	
50		FW+0.030	FW+0.062	

若用户另有要求，由本公司与用户协商签订。

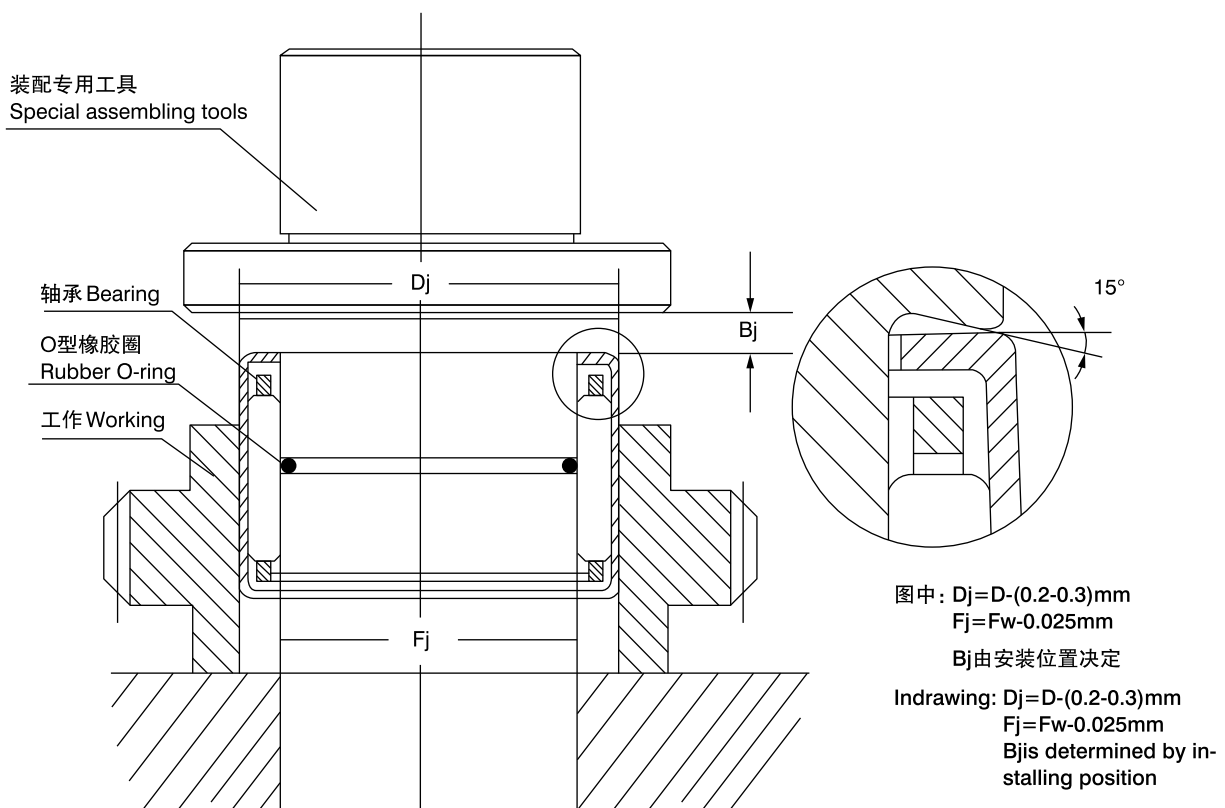
If customer has the additional requirement, it shall be made on agreement between company and customer.

安装

⊙为了避免冲压外圈产生局部变形或脆裂，防止滚针的正常工作遭受破坏。禁止在安装轴承时使用手锤工具敲击薄壁外圈，应使用压力机或专用安装工具进行安装，参考轴承安装方法示意图如下：

Installation

⊙In order to prevent the outer ring from deforming or cracking and needles from damage, it is prohibited to knock the thin-wall outer ring with hammer in installation. The press machine or special assembling tools shall be used for installation. The installation of bearings refers to the following schematic drawing.

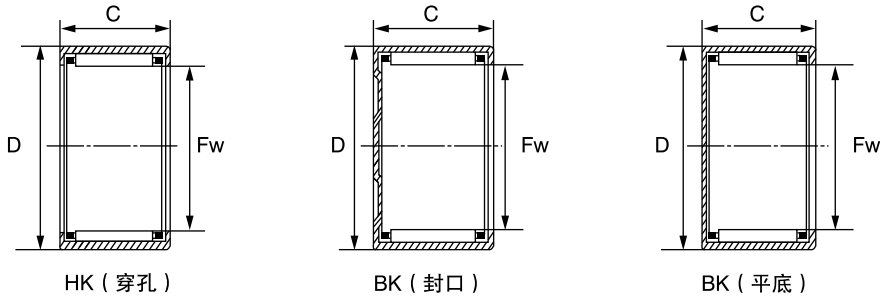


冲压外圈带保持架滚针轴承 Drawn CUP Needle Roller Bearing With Retainer

- ⊙ 冲压外圈滚针轴承是薄钢板精密冲压而形成的，剖面高度极小，且具有较大负荷容量，特别适用于要求经济性的大批量产品。
- ⊙ 该类滚针轴承的外圈与轴承箱采用静配合，不需要轴向固定装置。即使在高速大负荷条件下，也能充分保持轴承功能。另外，因贮脂容积大，可长期不加润滑脂。
- ⊙ 封口型轴承的一端为密封式，适用于轴端且可承受小的轴向游动力。
- ⊙ HK TA TLA穿孔型有保持架冲压外圈滚针轴承，BK封口型有保持架冲压外圈滚针轴承，SCE BA J JH冲压外圈滚针轴承（英制系列）。
- ⊙ The outer ring of drawn cup needle roller bearing is punched with the steel sheet. It has the small sectional height and the large load carrying capacity and is suitable for economic mass production.
- ⊙ The interference fit between outer ring and bearing housing is applied to this kind of needle roller bearing without axial fixing device. Even for the condition of high load, it fully maintains bearing function either. In addition, with the large grease-storage capacity, it is unnecessary to add grease for a long-term operation.
- ⊙ Since one end of the close-end bearing is sealed, it is suitable for the end of shaft with bearing the small axial sliding force.
- ⊙ Model HK, TA, TLA, open-end drawn cup needle roller bearings with retainer,
- ⊙ Model BK close-end drawn cup needle roller bearing with retainer,
- ⊙ Model SCE, BA, J, JH, drawn cup needle roller bearings (Inch series).

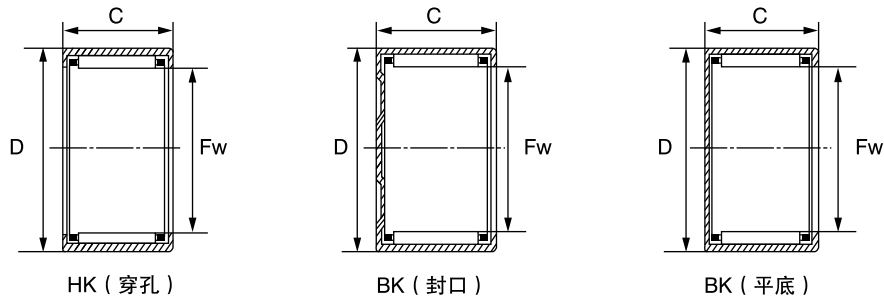


冲压外圈滚针轴承 Drawn Cup Needle Roller Bearings



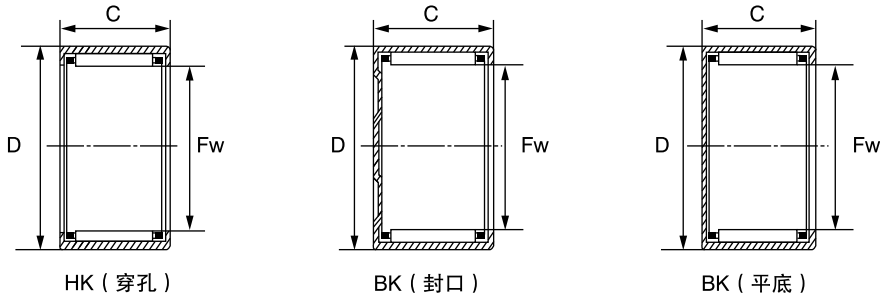
轴径 Shaft Diameter	轴承型号 Bearing Designation		重量 Mass 近似 Approx	外形尺寸 Boundary Dimensions			额定负荷 Basic Load Rating		极限转速 Limiting Speed
	现型号 Current Code	原型号 Original Code		Fw	D	C	动 Dynamic	静 Static	油润滑 Oil
				mm			N		rpm
3	HK0306TN			3	6.5	6	1320	950	6000
	BK0306TN			3	6.5	6	1320	950	6000
4	HK0408TN	37941/4	1.6	4	8	8	1540	1070	40000
	BK0408TN	5941/4	1.8	4	8	8	1540	1070	40000
5	HK0509TN			5	11	9	2200	1790	36000
	HK0509	47941/5	2	5	9	9	2200	1790	36000
	BK0509	45941/5	2.1	5	9	9	2200	1790	36000
	HK0510			5	9	10			
6	HK0606			6	10	6			
	HK0607	27941/6	1.8	6	10	7	1600	1400	30000
	HK0608	37941/6	2.1	6	10	8	1830	1550	32000
	BK0608	35941/6	2.2	6	10	8	1830	1550	32000
	HK0609	47941/6	2.2	6	10	9	2650	2400	30000
	BK0609	45941/6	2.6	6	10	9	2650	2400	30000
	HK0611		2.3	6	10	11	1700	1500	29000
	HK06X12X8	3941/6	2.5	6	12	8	2230	2010	33000
7	HK0708			7	11	8	2800	2150	27000
	HK0709	47941/9	2.3	7	11	9	2800	2150	27000
	BK0709	45941/9	2.9	7	11	9	2800	2150	27000
	HK0712			7	11	12			
	HK07X12X08		2.2	7	12	8	3300	3220	37000
	HK07X12X09		2.4	7	12	9	3400	3150	37000
8	HK0808	37941/8	2.7	8	12	8	2550	2400	21000
	HK0808TN			8	12	8			
	BK0808	35941/8	3	8	12	8	2550	2400	21000
	HK0810	57941/8	3	8	12	10	3700	3450	21000
	BK0810	88941/8	3.4	8	12	10	3700	3450	21000
	HK0812	67941/8		8	12	12			
	HK08X14X10	27942/8	5.35	8	14	10	3800	3950	25000
	BK08X14X10	25942/8	5.8	8	14	10	3800	3950	25000
9	HK0908	37941/9	3	9	13	8	3650	4050	25000
	BK0908	35941/9	3.4	9	13	8	3650	4050	25000
	HK0910	57941/9	4	9	13	10	4050	4250	25000
	BK0910	55941/9	4.3	9	13	10	4050	4250	25000
	HK0911		4.1	9	13	11	4300	4700	25000
	HK0912	67941/9	4.6	9	13	12	5000	6000	25000
	BK0912	65941/9	4.9	9	13	12	5000	6000	25000
	HK09X15X10	27942/9	5.6	9	15	10	5300	6300	25000

冲压外圈滚针轴承 Drawn Cup Needle Roller Bearings



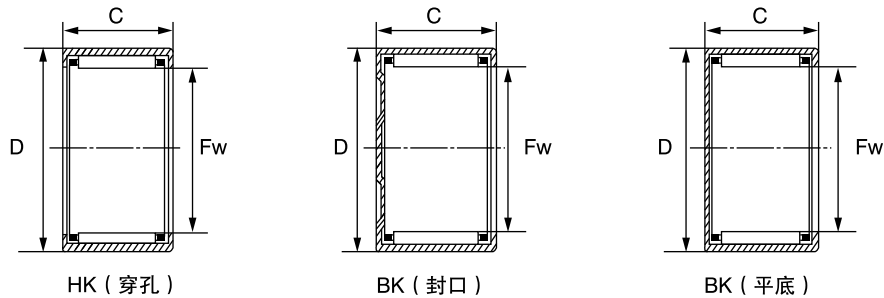
轴径 Shaft Diameter	轴承型号 Bearing Designation		重量 Mass 近似 Approx	外形尺寸 Boundary Dimensions			额定负荷 Basic Load Rating		极限转速 Limiting Speed
	现型号 Current Code	原型号 Original Code		Fw	D	C	动 Dynamic	静 Static	油润滑 Oil
				mm			N		rpm
10	HK10X13X08		3.5	10	13	8	4100	4800	20000
	HK1010	57941/10	4.1	10	14	10	3900	4800	19000
	BK1010	55941/10	4.3	10	14	10	3900	4800	19000
	HK1012	67941/10	4.8	10	14	12	5000	6300	19000
	BK1012	65941/10	5	10	14	12	5000	6300	19000
	HK1015		6	10	14	15	6700	7800	19000
	BK1015		6.2	10	14	15	6700	7800	19000
	HK10X15X15	644900	6.5	10	15	15	6800	8800	18000
	HK10X16X10		6.5	10	16	10	6800	8800	18000
	BK10X16X10		6.8	10	16	10	6800	8800	18000
	HK10X16X12	DB1012	7.5	10	16	12	6800	8800	18000
	HK10X16X15	7942/10	11	10	16	15	6800	8800	19000
	HK10X17X15		11.5	10	17	15	7200	8000	19000
HK10X18X12		8.5	10	18	12	7200	8000	19000	
12	HK1208	37941/12	3.3	12	16	8	7200	8000	19000
	HK1210	57941/12	4.6	12	16	10	4150	5800	19000
	BK1210	55941/12	5.2	12	16	10	4150	5800	19000
	HK1212	67941/12	5.6	12	18	12	3800	5100	15000
	BK1212	65941/12	6.2	12	16	12	3800	5100	15000
	HK12X17X12	7941/12	7.5	12	17	12	5100	7000	15000
	HK12X17X15	7942/12	9.5	12	17	15	5100	7000	15000
	HK12X17X18	7943/12	11	12	17	18	5100	7000	15000
	HK12X18X12	37942/12	9.1	12	18	12	5500	6300	17000
	BK12X18X12	35942/12K	10.3	12	18	12	5500	6300	17000
	HK12X18X14	67942/12	10.6	12	18	14	6500	6300	15000
HK12X19X12		10	12	19	12	6800	7400	15000	
13	HK1311		8.5	13	19	11	6300	6300	14000
	HK1312		8.9	13	19	12	6200	7100	17000
	BK1312		11.2	13	19	12	6200	7100	17000
13.5	HK13.5X19X12			13.5	19	12	6200	7100	16000
	HK13.5X20X12	7941/13.5	10.8	13.5	20	12	6250	7590	16000
14	HK1410	27941/14	8.3	14	20	10	6700	7000	16000
	BK1410	35941/14	12.1	14	20	10	6700	7000	16000
	HK1412	37941/14	10.5	14	20	12	6800	7500	16000
	HK1416	57941/14	13.9	14	20	16	7300	9000	14000
	HK1418			14	20	18	7300	9000	14000
15	HK15X20X12	7941/15	8.4	15	20	12	5800	6000	14000
	HK15X20X16	7942/15	11.4	15	20	16	6000	6200	14000
	HK15X20X20	7943/15	13.8	15	20	20	6100	6400	14000

冲压外圈滚针轴承 Drawn Cup Needle Roller Bearings



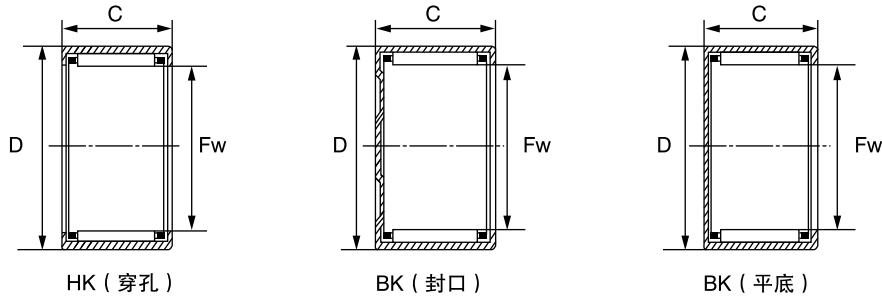
轴径 Shaft Diameter	轴承型号 Bearing Designation		重量 Mass 近似 Approx	外形尺寸 Boundary Dimensions			额定负荷 Basic Load Rating		极限转速 Limiting Speed
	现型号 Current Code	原型号 Original Code		Fw	D	C	动 Dynamic	静 Static	油润滑 Oil
				mm			N		rpm
15	HK1512	37941/15	11.1	15	21	12	7000	8400	14000
	BK1512	35941/15	12.7	15	21	12	7000	8400	14000
	HK1514	47941/15	12.7	15	21	14	8500	10400	13000
	HK1515		14.2	15	21	15	9100	11400	13000
	BK1515			15	21	15	9800	11400	14000
	TA1515			15	22	15		11400	
	TA1515Z			15	22	15		11400	
	HMK1515			15	22	15			
	HK1516	57941/15	15	15	21	16	9800	11400	14000
	BK1516	55941/15	16.5	15	21	16	9800	11400	14000
	HK1518			15	21	18			
	HK1520			15	21	20			
	HMK1520			15	22	20			
	HK1522	SZ-439	20.4	15	21	22	10400	16500	14000
	BK1522		22	15	21	22	10400	16500	14000
	HK15X22X12	7948/15	12.5	15	22	12	14300	18400	13000
HK15X22X12.5	7948/15K	13.5	15	22	12.5	14300	18400	13000	
16	HK16X21X06		5.5	16	21	6	4200	5300	12000
	HK16X21X09		7.5	16	21	9	4400	5600	12000
	HK1610	27941/16		16	22	10			
	HK1612	37941/16	11.7	16	22	12	7100	9200	14000
	BK1612	35941/16	13.8	16	22	12	7100	9200	14000
	HK1612K			16	22	12			
	HK1614	47941/16	14.4	16	22	14	8800	9900	12000
	HK1616	57941/16	15.8	16	22	16	10100	14300	14000
	BK1616	55941/16	17.6	16	22	16	10100	14300	14000
	HK1616-ASI			16	22	16			
	HK1617	SZ-435	18	16	22	17	12900	17200	12000
	HK1620	77941/20		16	22	20			
	HK1622	87941/16	21.7	16	22	22	11100	17400	14000
	BK1622	85941/16	23.4	16	22	22	11100	17400	14000
17	HK17X21.5X15	17BTM15	10	17	21.5	15	6300	8600	11000
	HK1712	37941/17	12.2	17	23	12	6900	9300	13000
	BK1712	35941/17	14.5	17	23	12	6900	9300	13000
	HK1714	7941/17	14	17	23	14	6800	10200	10000
	HK1716	57941/17	15.9	17	23	16	8500	12500	10000
	BK1716			17	23	16	8500	12500	10000
	HK1718	7942/17	19	17	23	18	9500	10600	10000
	HK1720			17	23	20	10000	11800	10000

冲压外圈滚针轴承 Drawn Cup Needle Roller Bearings



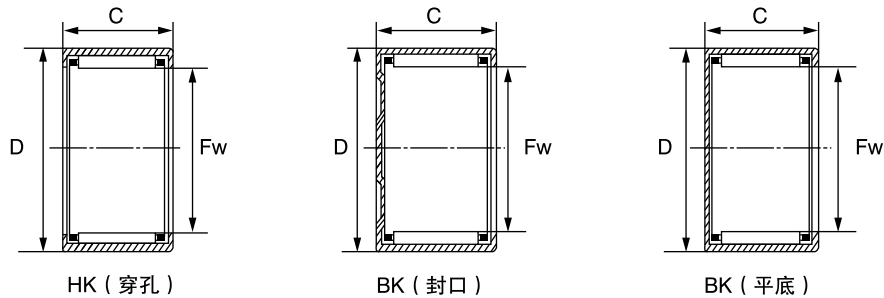
轴径 Shaft Diameter	轴承型号 Bearing Designation		重量 Mass 近似 Approx	外形尺寸 Boundary Dimensions			额定负荷 Basic Load Rating		极限转速 Limiting Speed
	现型号 Current Code	原型号 Original Code		Fw	D	C	动 Dynamic	静 Static	油润滑 Oil
mm			g	mm			N		rpm
17	HK1722	7943/17	17	17	23	22			
	HK17X24X15		17	17	24	15	11200	12800	10000
	HK17X25X14	37942/17K	17.7	17	25	14	13100	14700	10000
	HK17X25X15.5		20	17	25	15.5	9320	10400	10000
	HK17X25X18	57942/17K	23.5	17	25	18	9500	10600	11000
18	HK1812	37941/18	13.1	18	24	12	7100	9900	12000
	BK1812	35941/18	14.9	18	24	12	7100	9900	12000
	HK1816	57941/18	17.5	18	24	16	10600	15300	12000
	BK1816	55941/18	19.9	18	24	16	10600	15300	12000
	HK18X24X20		18	18	24	20			
	HMK1825			18	25	25			
19	HK19X27X16	TA1916	23	19	27	16	8100	9500	10500
20	HK2010	27941/20	11.8	20	26	10	5900	7200	10000
	BK2010	25941/20	14	20	26	10	5900	7200	10000
	HK2011		12	20	26	11	7500	9200	9000
	HK2012	37941/20	14.1	20	26	12	7600	10100	10000
	BK2012	35941/20	16.7	20	26	12	7600	10100	10000
	HK2014	47941/20	15.7	20	26	14	9700	18100	9000
	HK2016	57941/20	19.3	20	26	16	11700	29100	10000
	BK2016	55941/20	22.3	20	26	16	11700	29100	10000
	HK2018	67941/20	23.3	20	26	18	7900	12800	9000
	HK2020	7942/20	24.1	20	26	20	13700	24000	10000
	BK2020	75941/20	27.1	20	26	20	13700	24000	10000
	HK2025	7943/20	28	20	26	25	9100	14800	9900
	HK2030		41	20	26	30	21800	40000	10100
	BK2030		43	20	26	30	21800	40000	10100
	HK20X27X18			20	27	18	26000	47200	9900
	HK20X27X20			20	27	20	26300	47800	9900
HK20X27X30			20	27	30	28500	48800	9900	
HK20X28X16	47942/20	28.5	20	28	16	29600	49800	9900	
HK20X29X18		41	20	29	18	30900	54600	9900	
22	HK22X28X7.5TN		8.8	22	28	7.5	5200	7000	10100
	HK2210	27941/22	12.3	22	28	10	7200	9500	10100
	HK2212	37941/22	15	22	28	12	8100	10400	10100
	BK2212	35941/22	18.1	22	28	12	8100	10400	10100
	HK2216	57941/22	20.9	22	28	16	11400	18100	10100
	BK2216	55941/22	24.3	22	28	16	11400	18100	10100
	HK2220	77941/22	26.2	22	28	20	14500	25000	10100
BK2220	75941/22	29.9	22	28	20	14500	25000	10100	

冲压外圈滚针轴承 Drawn Cup Needle Roller Bearings



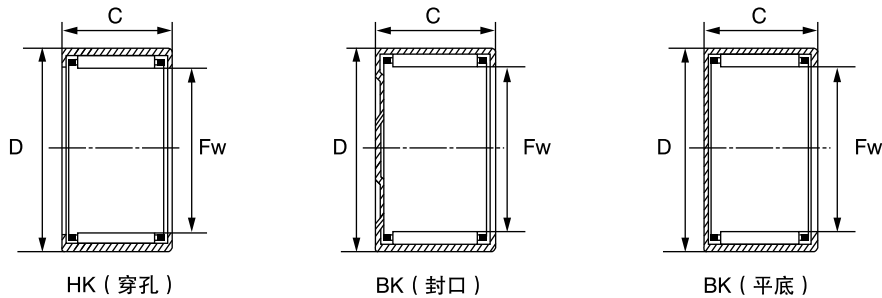
轴径 Shaft Diameter	轴承型号 Bearing Designation		重量 Mass 近似 Approx	外形尺寸 Boundary Dimensions			额定负荷 Basic Load Rating		极限转速 Limiting Speed
	现型号 Current Code	原型号 Original Code		Fw	D	C	动 Dynamic	静 Static	油润滑 Oil
				mm			N		rpm
22	HMK2225			22	29	25			
	HK2230		32	22	28	30	17500	30400	9000
	HK22X29X25		37	22	29	25	18100	31500	9000
	HK22X25X30		43	22	29	30	19400	33100	9000
	HK22X30X14	37942/22	21.9	22	30	14	19800	34000	9000
24	HK24X30X7.5TN		10.6	24	30	7.5	5800	7200	10000
25	HK2512	27941/25	20	25	32	12	10000	14200	9000
	BK2512	25941/25	23.2	25	32	12	10000	14200	9000
	HK2514	37941/25	21.9	25	32	14	13600	18700	9000
	HK2516	7941/25	27.3	25	32	16	13600	20000	9000
	BK2516	5941/25	31	25	32	16	13600	50000	9000
	HK2518	57941/25	28.2	25	32	18	17500	25800	9000
	HK2520	67941/25	34.1	25	32	20	17900	30000	9000
	BK2520	65941/25	38.7	25	32	20	17900	30000	9000
	HK2525	7943/25	40	25	32	25	22200	36700	9000
	HK2526		44.8	25	32	26	22500	42000	9000
	BK2526		49	25	32	26	22500	42000	9000
	HK2538	87941/25	64.7	25	32	38	30000	58000	9000
	BK2538	85941/25	69	25	32	38	30000	58000	9000
	HK25X33X10		17	25	33	10	34800	69600	9000
	HK25X33X15		27.4	25	33	15	35700	70000	9000
HK25X35X20	57942/25	44.9	25	35	20	36100	78650	9000	
28	HK2812			28	35	12			
	HK2816	47941/28	30.1	28	35	16	15400	22500	8700
	BK2816	45941/28	34.1	28	35	16	15400	22500	8700
	HK2818	57941/28	31.7	28	35	18	18500	29300	8700
	HK2820	67941/28	37.6	28	35	20	18900	32000	8700
	BK2820	65941/28	43	28	35	20	18900	32000	8700
	HK2825			28	35	25			
	HK2830			28	35	30			
	HK2833			28	35	33			
30	HK3012	27941/30	24	30	37	12	10100	16200	8100
	BK3012	25941/30	27.9	30	37	12	10100	16200	8100
	HK3016	47941/30	32	30	37	16	15200	27000	8100
	BK3016	45941/30	37.1	30	37	16	15200	27000	8100
	HK3018	57941/30	33.6	30	37	18	19200	31500	8100
	HK3020	67941/30	40.1	30	37	20	19700	33500	8100
	BK3020	65941/30	46.5	30	37	20	19700	33500	8100
	HK3020-K			30	37	20			

冲压外圈滚针轴承 Drawn Cup Needle Roller Bearings



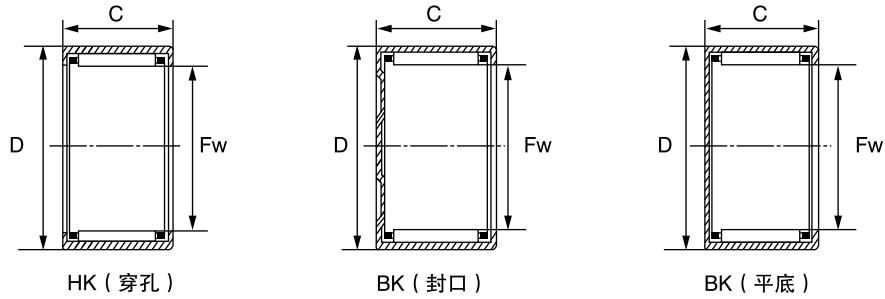
轴径 Shaft Diameter	轴承型号 Bearing Designation		重量 Mass 近似 Approx	外形尺寸 Boundary Dimensions			额定负荷 Basic Load Rating		极限转速 Limiting Speed
	现型号 Current Code	原型号 Original Code		Fw	D	C	动 Dynamic	静 Static	油润滑 Oil
mm			g	mm			N		rpm
30	HMK3020			30	40	20			
	HK3024			30	37	24			
	HMK3025			30	40	25			
	HK3026		52.9	30	37	26	24000	50000	8100
	BK3026		59.4	30	37	26	24000	50000	8100
	HK3030			30	37	30			
	HMK3030			30	40	30			
	HK3038		76.1	30	37	38	32500	74000	8100
	BK3038		82.5	30	37	38	32500	74000	8100
	HK30X38X12	27941/30K	28	30	38	12	38100	80000	8100
	HK30X38X16	7941/30	32.7	30	38	16	39000	82000	8100
	HK30X38X24	7942/30	49	30	38	24	39910	88800	8100
HK30X38X32	7943/30	69	30	38	32	38890	88700	8100	
32	HK32X38X11		17	32	38	11	19700	43200	7800
	HMK3220			32	42	20			
	HK3224	77941/32	50.7	32	38	24	25500	52000	7300
	HK3232	97941/32	66.4	32	39	32	22600	54300	7100
	HK32X19X16			32	19	16			
	HK32X40X32	7943/32	72.7	32	39	32	27990	59890	7100
	HK32X41X16			32	41	16			
35	HK3512	27941/35	27.7	35	40	12	12100	19300	7100
	BK3512	25941/35	32.9	35	42	12	12100	19300	7100
	HK3516	47941/35	36.9	35	42	16	15700	27500	7100
	BK3516	45941/35	43.8	35	42	16	15700	27500	7100
	HK3520	67941/35	46.1	35	42	20	20800	41000	7100
	BK3520	65941/35	54.8	35	42	20	20800	41000	7100
	HK3520/ASI			35	42	20			
	HK3524			35	42	24			
	BK3530			35	42	30			
	HK3530			35	42	30			
	HMK3520			35	45	20			
	HMK3525			35	45	25			
	HMK3530			35	45	30			
	HK35X42X16	7941/35	37	35	42	16	24200	47100	7100
	HK35X43X25	7942/35	60.5	35	43	25	24440	48200	6200
	HK35X43X32	7943/35	80	35	43	32	24870	48880	6200
	HK35X45X12		31	35	45	12	24870	48880	6200
36	HK36X42X12		23	36	42	12	15000	21000	6200
38	HK3818			38	45	18			

冲压外圈滚针轴承 Drawn Cup Needle Roller Bearings



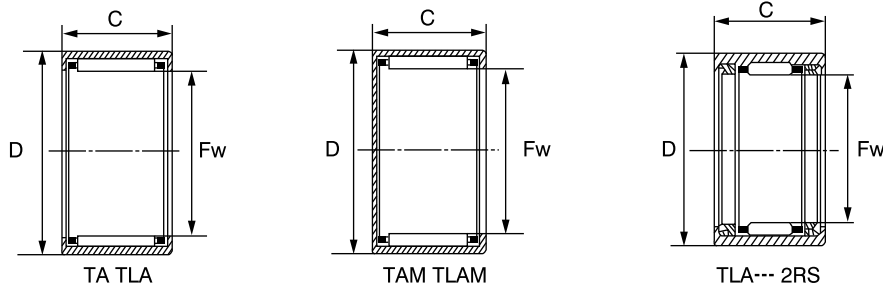
轴径 Shaft Diameter	轴承型号 Bearing Designation		重量 Mass 近似 Approx	外形尺寸 Boundary Dimensions			额定负荷 Basic Load Rating		极限转速 Limiting Speed
	现型号 Current Code	原型号 Original Code		Fw	D	C	动 Dynamic	静 Static	油润滑 Oil
				mm			N		rpm
38	HK38X48X30		102	38	48	30	16100	24100	6000
40	HK4012	27941/40	31.1	40	47	12	14000	24300	6300
	BK4012	25941/40	38.2	40	47	12	14000	24300	6300
	HK4016	47941/40	41.4	40	47	16	20000	38500	6300
	BK4016	45941/40	51	40	47	16	20000	38500	6300
	HK4020	67941/40	51.8	40	47	20	25500	52000	6300
	BK4020	65941/40	62	40	47	20	25500	52000	6300
	HK4020/ASI			40	47	20			
	HK4026			40	47	26			
	HK4030			40	47	30			
	HMK4020			40	50	20			
	HK4025	TA4025		40	50	25			
	HMK4030			40	50	30			
	HK40X50X32	7942/40	114.3	40	50	32	23000	42000	6000
	HK40X50X38	7943/40	130.8	40	50	38	24100	43000	6000
45	HK4512	27941/45	34.8	45	52	12	12900	22500	5800
	BK4512	25941/45	45	45	52	12	12900	22500	5800
	HK4512-K			45	52	12			
	HK4516	47941/45	46.2	45	52	16	19300	38000	5800
	BK4516	45941/45	56	45	52	16	19300	38000	5800
	HK4520	67941/45	56	45	52	20	22000	51000	5800
	BK4520	65941/45	72	45	52	20	22000	51000	5800
	HK4520-ASI			45	52	20			
	HK4520-K			45	52	20			
	HK4520-YA			45	52	20			
	HMK4525			45	55	25			
	HMK4530			45	55	30			
	HMK4538			45	55	38			
	HK45X55X38	7943/45	135	45	55	38	27600	61000	5300
50	HK50X57X16		51.2	50	57	16	15200	32500	5300
	HK5012	27941/50	44.2	50	58	12	23600	57200	5300
	HK5020	57941/50	72	50	58	20	28000	60000	5300
	BK5020	55941/50	87.3	50	58	20	28000	60000	5300
	HK5025	7943/50	90.1	50	58	25	34500	80000	5300
	BK5025	5943/50	109	50	58	25	34500	80000	5300
	HK50X60X38		140	50	60	38	27770	63100	4600
55	HK5520	57941/55	78	55	63	20	29500	59900	4600
	BK5520	55941/55	93.8	55	63	20	29500	59900	4600
	HK5525	77941/55	109	55	63	25	33200	69980	4600
	BK5525			55	63	25			

冲压外圈滚针轴承 Drawn Cup Needle Roller Bearings



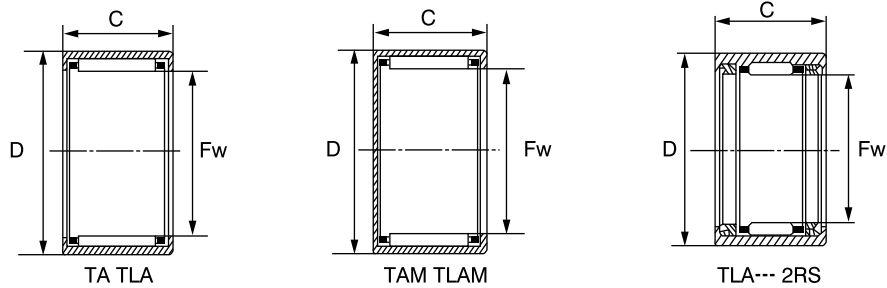
轴径 Shaft Diameter	轴承型号 Bearing Designation		重量 Mass 近似 Approx	外形尺寸 Boundary Dimensions			额定负荷 Basic Load Rating		极限转速 Limiting Speed
	现型号 Current Code	原型号 Original Code		Fw	D	C	动 Dynamic	静 Static	油润滑 Oil
mm			g	mm			N		rpm
55	HK5528	87941/55	111	55	63	28	39090	98000	4600
	BK5528	85941/55	132	55	63	28	39090	98000	4600
60	HK6012		49.2	60	68	12	12400	29000	4100
	BK6012		77	60	68	12	12400	29000	4100
	HK6020	57941/60	86	60	68	20	30500	72000	4100
	BK6020	55941/60	105	60	68	20	30500	72000	4100
	HK6032	87941/60	136	60	68	32	50000	131000	4100
	BK6032	85941/60	164	60	68	32	50000	131000	4100

冲压外圈滚针轴承 Drawn Cup Needle Roller Bearings



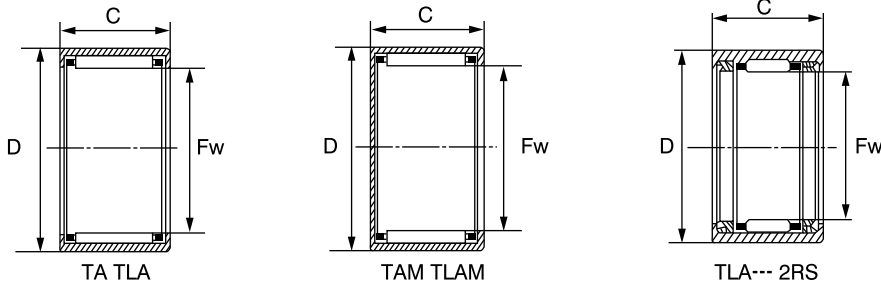
轴径 Shaft Diameter	轴承型号 Bearing Designation		重量 Mass 近似 Approx	外形尺寸 Boundary Dimensions			额定负荷 Basic Load Rating		极限转速 Limiting Speed
	现型号 Current Code	原型号 Original Code		Fw	D	C	动 Dynamic	静 Static	油润滑 Oil
				mm			N		rpm
4	TLA 48		1.6	4	8	8	140	100	75000
5	TLA 59		1.8	5	9	9	190	160	65000
6	TLA 69			6	10	9	210	190	55000
7	TLA 79		2	7	11	9	250	250	50000
8	TLA 810		2.1	8	12	10	340	370	45000
	TA 810			8	15	10	350	290	45000
	TA 815			8	15	15	590	570	45000
9	TA 912		1.8	9	16	12	520	500	45000
	TA 916		2.1	9	16	16	710	740	45000
10	TLA 1010		2.2	10	14	10			
	TLAM 1010		2.2	10	14	10			
	TLA 1012		2.6	10	14	12			
	TLAM 1012		2.3	10	14	12			
	TLA 1014 2RS		2.5	10	14	14			
	TLA 1015			10	14	15			
	TA 101610		2.3	10	16	10			
	TA 1012		2.9	10	17	12			
	TA 1010			10	17	10	420	390	40000
12	TLA 1212		2.4	12	18	12			
	TA 1212		2.7	12	19	12	610	640	35000
	TA 1215			12	19	15	760	850	35000
	TLA 1216 2RS		3	12	18	16			
13	TLA 1312		3	13	19	12	690	830	30000
14	TLA 1412		3.4	14	20	12			
	TLA 1416			14	20	16			
	TLA 1416 2RS		5.35	14	20	16			
	TA 1420		5.8	14	22	20	1410	1760	30000
15	TLA 1512		6.6	15	21	12			
	TLAM 1516		3	15	21	16			
	TA 1510		3.4	15	22	10	540	580	25000
	TA 1512		4	15	22	12	730	850	25000
16	TLA 1612		4.3	16	22	12			
	TLA 1616		4.1	16	22	16			
	TA1616		4.6	16	24	16	1130	1350	25000
	TA1620		4.9	16	24	20	1490	1940	25000
17	TLA172220		5.6	17	22	20			
	TLA172318			17	23	18			
	TA1715			17	24	15	980	1300	25000

冲压外圈滚针轴承 Drawn Cup Needle Roller Bearings



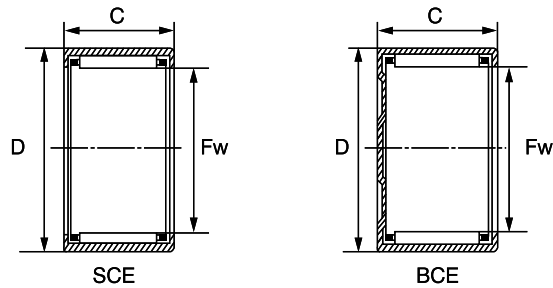
轴径 Shaft Diameter	轴承型号 Bearing Designation		重量 Mass Approx	外形尺寸 Boundary Dimensions			额定负荷 Basic Load Rating		极限转速 Limiting Speed
	现型号 Current Code	原型号 Original Code		Fw	D	C	动 Dynamic	静 Static	
	mm			g	mm			N	
18	TLA 1812			18	24	12			
	TLA 1816			18	24	16			
	TA 1813		16.4	18	25	13	930	1220	20000
	TA 1815		18.5	18	25	15	1020	1390	20000
	TA 1817		21	18	25	17	1210	1720	20000
19	TA 1916		23	19	27	16	1240	1600	20000
	TA 1920		29	19	27	20	1650	2300	20000
20	TLA 2012			20	26	12			
	TLA 2016			20	26	16			
	TLAM 2020			20	26	20			
	TA 2015		20	20	27	15	1060	1490	20000
21	TA 2116		25	21	29	16	1350	1840	19000
	TA 2120		31.5	21	29	20	1790	2640	19000
22	TA 2210		15	22	29	10	680	870	18000
	TA 2215		21.5	22	29	15	1130	1670	18000
24	TA 2420		31	24	31	20	1730	2980	16000
25	TLA 2530			25	32	30			
	TA 2510		19.1	25	33	10	810	1010	15000
	TA 2515		28.5	25	33	15	1370	1970	15000
26	TA 2616		30.5	26	34	16	1550	2330	15000
	TA 2620		38	26	34	20	2050	3350	15000
28	TLA 2820			28	35	20			
	TA 2820		45	28	37	20	2160	3290	13000
	TA 2830		67.5	28	37	30	3370	5800	13000
29	TA 2920		47	29	38	20	2250	3480	13000
	TA 2930		70	29	38	30	3490	6140	13000
30	TLA 3012		23.5	30	37	12	1060	1700	12000
	TA 3013		36.5	30	40	13	1370	1710	12000
	TA 3015		42	30	40	15	1720	2280	12000
	TLA 3026		49	30	37	26	2530	5190	12000
	TLA 303730			30	37	30			
	TLA 3038			30	37	38			
	TLAM 303746			30	37	46			
	TLA 303815			30	38	15			
	TLA 303816			30	38	16			
TLA 3030			30	40	30				
32	TA 3220		57.5	32	42	30	2590	3940	11000
	TA 3230		86	32	42	30	4030	6970	11000
35	TLA 3516			35	42	16			

冲压外圈滚针轴承 Drawn Cup Needle Roller Bearings



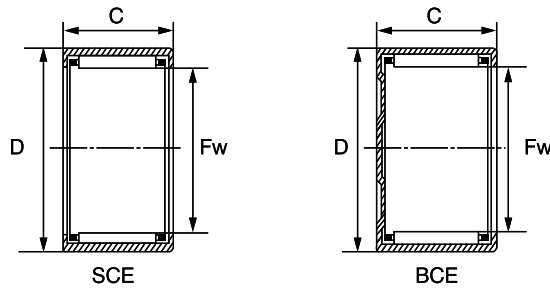
轴径 Shaft Diameter	轴承型号 Bearing Designation		重量 Mass 近似 Approx	外形尺寸 Boundary Dimensions			额定负荷 Basic Load Rating		极限转速 Limiting Speed
	现型号 Current Code	原型号 Original Code		Fw	D	C	动 Dynamic	静 Static	油润 滑 Oil
				mm			N		rpm
35	TLA 3520			35	42	20			
	TLA 354320			35	43	20			
	TA 3512		38.5	35	45	12	1510	2030	10000
	TA 3515		48	35	45	15	1890	2710	10000
	TA 3520		62.5	35	45	20	2760	4400	10000
	TA 3530			35	45	30			
37	TA 3720		64.5	37	47	20	2830	4630	9500
	TA 3730		101	37	47	30	4270	7820	9500
38	TA 3815		51	38	48	15	1930	2860	9000
	TA 3820		65.5	38	48	20	2820	4640	9000
	TA 3825		82.5	38	48	25	3630	6430	9000
40	TLA 4012			40	47	12			
	TLA 4016			40	47	16			
	TA 4015		54	40	50	15	1980	3000	8500
	TA 4020		69.5	40	50	20	2900	4880	8500
45	TA 4520		77	45	55	20	3120	5570	7500
	TA 4525		102	45	55	25	4010	7710	7500
	TA 4530		122	45	55	30	4860	9850	7500
50	TLA 5020		69	50	58	20	2930	6540	6500
	TLA 5025		86	50	58	25	3760	9010	6500
	TA 5012		62.5	50	62	12	1800	2450	6500
	TA 5015		78	50	62	15	2630	3980	6500
	TA 5020		107	50	62	20	3870	6530	6500
	TA 5025		134	50	62	25	5000	9080	6500
	TAW 5045		230	50	62	45	7820	16100	6500
55	TA 5520		116	55	67	20	4040	7100	5500
	TA 5525		145	55	67	25	5220	9880	5500
	TA 5530		175	55	67	30	6320	12600	5500
	TAW 5550		280	55	67	50	9330	20900	5500
60	TA 6025		158	60	72	25	5570	11100	5000
	TA 6030		191	60	72	30	6760	14200	5000
	TA 6040		250	60	72	40	8740	19700	5000
62	TA 6212		78	62	74	12	2050	3090	4500
65	TA 6525		169	65	77	25	5760	11900	4000
	TA 6530		205	65	77	30	6980	15200	4000
70	TA 7025		181	70	82	25	5960	12700	3500
	TA 7030		220	70	82	30	7230	16200	3500
	TA 7040		290	70	82	40	9380	22700	3500

冲压外圈滚针轴承 (英制系列) Drawn Cup Needle Roller Bearings (Inch series)



轴径 Shaft Diameter	轴承型号 Bearing Designation		重量 Mass 近似 Approx	外形尺寸 Boundary Dimensions			额定负荷 Basic Load Rating		极限转速 Limiting Speed
	现型号 Current Code	原型号 Original Code		Fw	D	C	动 Dynamic	静 Static	油润滑 Oil
mm / inch			Kg	mm			N		rpm
3.175 1/8	SCE 55 + 内套		0.004	3.175	12.7	8.334			
3.97 5/32	SCE 21/24TN			3.97	7.15	6.35			
4.762 3/16	SCE 34TN			4.762	8.731	6.35			
6.35 1/4	SCE 47		0.004	6.35	11.112	11.13			
	SCE 49			6.35	11.112	14.287			
	SCE 49PP			6.35	11.112	14.29			
7.938 5/16	SCE 55	BCE55	0.0032	7.938	12.7	7.938	2892	2625	29000
	SCE 56P		0.006	7.938	12.7	9.52			
	SCE 57		0.006	7.938	12.7	11.11			
	SCE 59		0.003	7.938	12.7	14.29			
9.525 3/8	SCE 65	BCE65	0.004	9.525	14.288	7.94	2892	2417	25000
	SCE 66		0.006	9.525	14.288	9.52	3900	3950	29500
	SCE 68		0.0065	9.525	14.288	12.7			
	SCE 68K			9.525	14.288	9.271			
	SCE 69P		0.007	9.525	14.288	14.29			
	SCE 69		0.004	9.525	14.288	14.29			
	SCE 610PP			9.525	14.288	15.88	3900	3950	29500
11.112 7/16	SCE 78		0.005	11.112	15.875	12.7	6400	7800	25000
12.7 1/2	SCE 85		0.0047	12.7	17.462	7.94			
	SCE 86		0.006	12.7	17.462	9.52			
	SCE 86A		0.007	12.7	17.462	9.52			
	SCE 87		0.006	12.7	17.462	11.11	7340	7800	22000
	SCE 88		0.009	12.7	17.462	12.7	6897	9033	19000
	SCE 810ZOH		0.009	12.7	17.462	15.88	8811	12237	19000
	SCE 810PP		0.009	12.7	17.462	15.88	8811	12237	19000
14.288 9/16	SCE 96		0.005	14.288	19.05	9.52	5162	6408	18000
	SCE 98		0.008	14.288	19.05	12.7	7698	10769	18000
	SCE 910		0.01	14.288	19.05	15.88	9434	14017	18000
	SCE 912		0.013	14.288	19.05	19.05	10724	16465	18000
15.875 5/8	SCE 105		0.0075	15.875	20.638	7.94	4300	5200	17600
	SCE 107-1/2		0.009	15.875	20.638	11.91	7100	10300	17600
	SCE108	BCE108	0.01	15.875	20.638	12.7	8743	12015	16000
	SCE109P			15.875	20.638	14.29	8743	12015	16000
	SCE1010		0.011	15.875	20.638	15.88	10368	16242	16000
	SCE1010PPP		0.013	18.875	20.638	15.88	10368	16242	16000
	SCE1012		0.014	15.875	20.638	19.05	12015	19802	16000
SCE1012PPP		0.014	15.875	20.638	19.05	12015	19802	16000	
17.462 11/16	SCE118		0.014	17.462	22.225	12.7	8600	13200	16000
	SCE1112		0.016	17.462	22.225	19.05	12400	21000	16000

冲压外圈滚针轴承 (英制系列) Drawn Cup Needle Roller Bearings (Inch series)



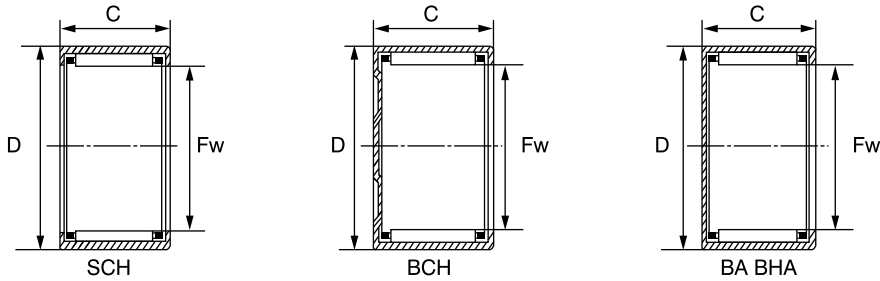
轴径 Shaft Diameter	轴承型号 Bearing Designation		重量 Mass 近似 Approx	外形尺寸 Boundary Dimensions			额定负荷 Basic Load Rating		极限转速 Limiting Speed 油润滑 Oil
	现型号 Current Code	原型号 Original Code		Fw	D	C	动 Dynamic	静 Static	
mm / inch			Kg	mm			N		rpm
19.05 3/4	SCE 128		0.013	19.05	25.4	12.7	9800	12500	14700
	SCE 120			19.05	34	14.5			
	SCE 129P		0.019	19.05	25.4	14.29	10000	13500	15200
	SCE 1210PPR		0.017	19.05	25.45	15.88	12682	17577	13000
	SCE 1211(P)		0.018	19.05	25.4	17.46	15352	22250	13000
	SCE 1212		0.021	19.05	25.4	19.05	15352	22250	13000
	SCE 1214PP			19.05	25.4	22.22			
	SCE 1216		0.030	19.05	25.4	25.4			
20.638 13/16	SCE 1312		0.024	20.638	26.988	19.05	16020	23585	12000
22.225 7/8	SCE 146		0.013	22.225	28.575	9.52	8200	10700	12600
	SCE 148		0.019	22.225	28.575	12.7	11125	15797	11000
	SCE 148-OH		0.019	22.225	28.575	12.7	11125	15797	11000
	SCE 1412		0.028	22.225	28.575	19.05	16910	27145	11000
	SCE 1416		0.034	22.225	28.575	25.4	22100	38000	12600
25.4 1	SCE 168		0.019	25.4	31.75	12.7	12682	19135	10000
	SCE 1612		0.027	25.4	31.75	19.05	18022	30260	10000
	SCE 1614PP			25.4	31.75	22.22			
	SCE 1616		0.038	25.4	31.75	25.4	24920	45390	10000
	SCE 1616PP		0.038	25.4	31.75	25.4	24920	45390	10000
	SCE 1620		0.048	25.4	31.75	31.75			
28.575 1 1/8	SCE 188		0.021	28.575	34.925	12.7	12905	20247	9000
	SCE 1816	BCE1816	0.04	28.575	34.925	25.4	25810	49395	9000
	SCE 1820		0.053	28.575	34.925	31.75			
31.75 1 1/4	SCE 2020A			31.242	38.1	31.75			
	SCE 2010		0.03	31.75	38.1	15.88	21137	39605	8000
	SCE 2012		0.037	31.75	38.1	19.05	16500	29000	8000
	SCE 2016	BCE2016	0.045	31.75	38.1	25.4	27145	54735	8800
	SCE 2020		0.056	31.75	38.1	31.75			
34.925 1 3/8	SCE 228		0.025	34.925	41.275	12.7	13600	23700	8000
	SCE 2212		0.039	34.925	41.275	19.05	21360	42720	7500
	SCE 2216		0.058	34.925	41.275	25.4	27590	59185	7500
	SCE 2220		0.081	34.925	41.275	31.75	34000	77000	8000
38.1 1 1/2	SCE 2416		0.083	38.1	47.625	25.4	38715	66305	6500
	SCE 2420		0.105	38.1	47.625	31.75			
41.275 1 5/8	SCE 2620		0.11	41.275	50.8	31.75	51000	97000	6800
44.45 1 3/4	SCE 2812		0.082	44.45	53.975	19.05	31500	55000	6300
	SCE 2816	BCE2816	0.115	44.45	53.975	25.4	41385	75650	6000
	SCE 2824		0.163	44.45	53.975	38.1			
50.8 2	SCE 3216		0.102	50.8	60.33	25.4			

冲压外圈滚针轴承 (英制系列) Drawn Cup Needle Roller Bearings (Inch series)

轴径 Shaft Diameter	轴承型号 Bearing Designation		重量 Mass 近似 Approx	外形尺寸 Boundary Dimensions			额定负荷 Basic Load Rating		极限转速 Limiting Speed
	现型号 Current Code	原型号 Original Code		Fw	D	C	动 Dynamic	静 Static	油润滑 Oil
mm / inch			Kg	mm			N		rpm
50.8 2	SCE 32 160OH			50.8	60.38	25.4			
	SCE 3220		0.140	50.8	60.325	31.75	55180	115700	5000

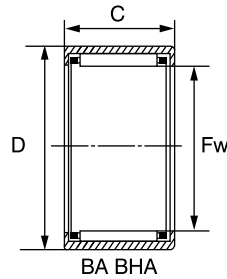
注: OH, ZOH 带油孔; P PP 带密封圈。 Note: OH, ZOH with oil hole, P PP with seal ring.

冲压外圈滚针轴承 (英制系列) Drawn Cup Needle Roller Bearings (Inch series)



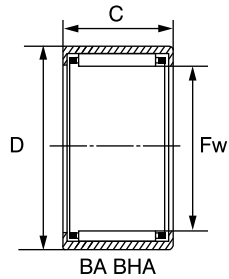
轴径 Shaft Diameter	轴承型号 Bearing Designation		重量 Mass 近似 Approx	外形尺寸 Boundary Dimensions			额定负荷 Basic Load Rating		极限转速 Limiting Speed
	现型号 Current Code	原型号 Original Code		Fw	D	C	动 Dynamic	静 Static	
mm / inch			Kg	mm			N		rpm
12.7 1/2	SCH 87		0.009	12.7	19.05	11.13			
14.29 9/16	SCH 910		0.013	14.29	20.64	15.88			
	SCH 912		0.017	14.29	20.64	19.05			
15.875 5/8	SCH 108		0.013	15.875	22.225	12.7			
	SCH 1012		0.019	15.875	22.225	19.05			
22.225 7/8	SCH 1412		0.032	22.225	30.162	19.05			
	SCH 1413			22.225	30.162	20.64			
	SCH 1413P			22.225	30.162	20.64			
	SCH 1416PP			22.225	30.162	25.4			
	SCH 1416		0.043	22.225	30.162	25.4			
25.4 1	SCH 1612		0.036	25.4	33.338	19.05			
	SCH 1614P			25.4	33.338	22.22			
	SCH 1616		0.047	25.4	33.338	25.4			
28.575 1 1/8	SCH 1812		0.048	28.575	38.1	19.05			
	SCH 1816		0.063	28.575	38.1	15.4			
31.75 1 1/4	SCH 2016		0.071	31.75	41.28	25.4			
34.925 1 3/8	SCH 2213P			34.925	44.45	20.62			
BCH 系列									
9.525 3/8	BCH 68		0.0082	9.525	15.875	12.7	500	480	40000
17.02 67/100	BCH 06604			17.02	23.83	17.53			
31.75 1 1/4	BCH 2020		0.0815	31.75	41.275	31.75	4080	7100	12000
BCH 系列									
12.7 1/2	BHA 88ZOH		0.0104	12.7	19.05	12.7	620	680	30000
	BHA 810ZOH		0.0125	12.7	19.05	15.88	900	1110	30000
17.462 11/16	BHA 1112ZOH		0.0193	17.462	23.812	19.05	1350	2020	25000
25.4 1	BHA 1612		0.0335	25.4	33.338	19.05	1970	3030	15000
28.575 1 1/8	BHA 1816ZOH		0.06	28.575	38.1	25.4	3050	4950	13000
31.75 1 1/4	BHA 2020ZOH		0.0815	31.75	41.275	31.75	4080	7100	12000

冲压外圈滚针轴承 (英制系列) Drawn Cup Needle Roller Bearings (Inch series)



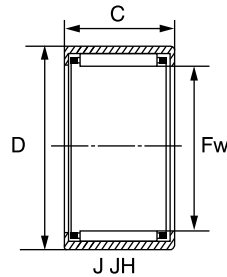
轴径 Shaft Diameter	轴承型号 Bearing Designation		重量 Mass 近似 Approx	外形尺寸 Boundary Dimensions			额定负荷 Basic Load Rating		极限转速 Limiting Speed
	现型号 Current Code	原型号 Original Code		Fw	D	C	动 Dynamic	静 Static	油润滑 Oil
mm / inch			g	mm			N		rpm
6.35 1/4	BA 44ZOH		2.1	6.35	11.112	6.35	150	110	55000
	BA 47ZOH		3.5	6.35	11.112	11.13	270	240	55000
7.938 5/16	BA 55ZOH		3	7.938	12.7	7.92	190	160	45000
	BA 57ZOH		4.3	7.938	12.7	11.13	340	330	45000
9.525 3/8	BA 66		4.2	9.525	14.288	9.525	320	310	40000
	BA 66ZOH		4.2	9.525	14.288	9.52	320	310	40000
	BA 68		5.7	9.525	14.288	12.7	430	470	40000
	BA 610Z		7	9.525	14.288	15.88	580	680	40000
12.7 1/2	BA 88ZOH		7.2	12.7	17.462	12.7	480	580	30000
	BA 810		8.9	12.7	17.462	15.88	650	850	30000
	BA 810ZOH		8.9	12.7	17.462	15.88	650	850	30000
	BA 812ZOH		10.6	12.7	17.462	19.05	800	1120	30000
14.288 9/16	BA 910ZOH		9.9	14.288	19.05	15.88	720	1010	30000
15.875 5/8	BA 105Z		5.3	15.875	20.638	7.94	290	330	25000
	BA 107ZOH		7.6	15.875	20.638	11.11	510	680	25000
	BA 108ZOH		8.7	15.875	20.638	12.7	550	740	25000
	BA 1010ZOH		10.8	15.875	20.638	15.88	750	1100	25000
	BA 1012Z		12.9	15.875	20.638	19.05	920	1430	25000
17.462 11/16	BA 118ZX		9.5	17.462	22.225	12.7	630	900	25000
19.05 3/4	BA 126ZOH		10	19.05	25.4	9.52	510	600	20000
	BA 128		13.5	19.05	25.4	12.7	700	890	20000
	BA128ZOH		13.5	19.05	25.4	12.7	700	890	20000
	BA 1210		17	19.05	25.4	15.88	970	1350	20000
	BA 1210ZOH		17	19.05	25.4	15.88	970	1350	20000
	BA 1212ZOH		20.5	19.05	25.4	19.05	1220	1800	20000
22.225 7/8	BA 146ZOH		11.5	22.225	28.575	9.52	550	690	18000
	BA 148ZOH		15.6	22.225	28.575	12.7	760	1080	18000
	BA 1412ZOH		23.5	22.225	28.575	19.05	1310	2080	18000
	BA 1416ZOH		31	22.225	28.575	25.4	1790	3110	18000
25.4 1	BA 1612		26.5	25.4	31.75	19.05	1450	2470	15000
	BA 1612ZOH		26.5	25.4	31.75	19.05	1450	2470	15000
	BA 1616		35.5	25.4	31.75	25.4	1980	3700	15000
	BA 1616ZOH		35.5	25.4	31.75	25.4	1980	3700	15000
28.575 1 1/8	BA 188		19.5	28.575	34.925	12.7	880	1360	13000
	BA 1816Z		39	28.575	34.925	25.4	2090	4110	13000
	BA 1816		39	28.575	34.925	25.4	2090	4110	13000
30.162 1 3/16	BA 1916ZOH		52	30.162	38.1	25.4	2630	4620	12000
31.75 1 1/4	BA 2012		32.5	31.75	38.1	19.05	1600	3020	12000
	BA 2012ZOH		32.5	31.75	38.1	19.05	1600	3020	12000

冲压外圈滚针轴承 (英制系列) Drawn Cup Needle Roller Bearings (Inch series)



轴径 Shaft Diameter	轴承型号 Bearing Designation		重量 Mass 近似 Approx	外形尺寸 Boundary Dimensions			额定负荷 Basic Load Rating		极限转速 Limiting Speed
	现型号 Current Code	原型号 Original Code		Fw	D	C	动 Dynamic	静 Static	油润滑 Oil
mm / inch			g	mm			N		rpm
31.75 1 ¹ / ₄	BA 2016ZOH		43	31.75	38.1	25.4	2190	4520	12000
	BA 2020		53.5	31.75	38.1	31.75	2750	6040	12000
	BA 2020ZOH		53.5	31.75	38.1	31.75	2750	6040	12000
34.925 1 ³ / ₈	BA 2216ZOH		47.5	34.925	41.275	25.4	2350	5120	10000
38.1 1 ¹ / ₂	BA 2420		97.5	38.1	47.625	31.75	3980	7570	9000
	BA 2420ZOH		97.5	38.1	47.625	31.75	3980	7570	9000
41.275 1 ⁵ / ₈	BA 2610		52	41.275	50.8	15.88	1930	3060	8000
	BA 2620ZOH		105	41.275	50.8	31.75	4220	8370	8000
44.45 1 ³ / ₄	BA 2812ZOH		67.5	44.45	53.975	19.05	2570	4540	7500
	BA 2816ZOH		91	44.45	53.975	25.4	3540	6870	7500
50.8 2	BA 3216ZOH		104	50.8	60.325	25.4	3780	7800	6000
BAM 系列									
9.525 3/8	BAM 66K			9.525	14.288	10.5			
	BAM 66		4.6	9.525	14.2875	9.525	320	310	40000
12.7 1/2	BAM 812		11.3	12.7	17.462	19.05	800	1120	30000

冲压外圈滚针轴承 (英制系列) Drawn Cup Needle Roller Bearings (Inch series)



轴径 Shaft Diameter	轴承型号 Bearing Designation		重量 Mass 近似 Approx	外形尺寸 Boundary Dimensions			额定负荷 Basic Load Rating		极限转速 Limiting Speed	
	现型号 Current Code	原型号 Original Code		Fw	D	C	动 Dynamic	静 Static	脂润滑 Oil	油润滑 Oil
	mm / inch			g	mm			N		
4.76 3/16	J-35			4.76	8.73	9.525	257	352		75000
6.35 1/4	J-45			6.35	11.11	7.92	290	331		57000
	J-47			6.35	11.11	11.13	473	617		57000
7.94 5/16	J-55			7.94	12.7	7.92	315	383		44000
	J-57			7.94	12.7	11.13	560	805		44000
	JH-57			7.94	14.29	11.13	696	849		47000
9.525 3/8	J-65			9.525	14.29	7.92	358	474		36000
	J-66			9.525	14.29	9.52	500	728		36000
	J-68			9.525	14.29	12.7	755	1240		36000
	JH-68			9.525	15.88	12.7	987	1370		38000
11.11 7/16	J-78			11.11	15.88	12.7	882	1580		30000
	JH-78			11.11	17.46	12.7	1060	1510		30000
12.548 1/2	J-88K			12.548	17.463	12.7	914	1710		26000
14.288 9/16	J-910			14.288	19.05	15.88	1190	2490		23000
	J-108			15.88	20.64	12.7	970	1970		21000
15.88 5/8	JH-1010			15.88	22.225	15.88	1280	2930		21000
17.462 11/16	JH-1112			17.462	23.812	19.05	1830	4610		19000
19.05 3/4	J-1212			19.05	25.4	19.05	2320	4880		18000
22.225 7/8	J-148			22.225	28.58	12.7	1640	3270		15000
	JH-1412			22.225	30.16	19.05	2710	5450		15000
	JH-14160H			22.225	30.162	25.4	2710	5450		15000
25.4 1	JH-1616			25.4	33.34	25.4	4090	9570		13000
28.58 1 1/8	JH-1818			28.58	38.1	28.58	5440	12500		12000
35.61 1 2/5	JH-1470			35.61	57.2	17.8	5680	13500		10000
41.275 1 5/8	J-2616			41.275	50.8	25.4	5890	15600		7900
50.8 2	J-3216			50.8	60.32	25.4	6350	18400		6300

冲压外圈满装滚针轴承

Drawn CUP Full Complement Needle Roller Bearing

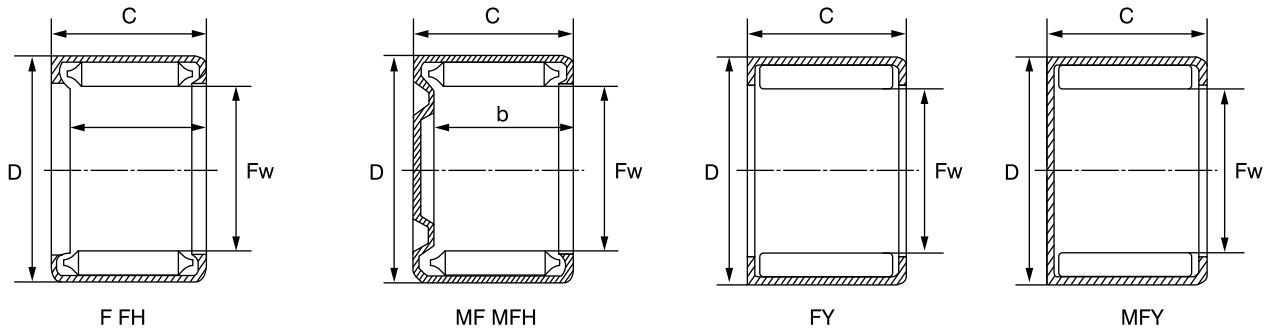
⊙这种轴承有延伸至外圈滚道面全宽的满滚针组成，因此，它可以承受高负荷，并且非常适用摇摆动作的低速及中速情况下。因为润滑在出厂前已经预装在轴承内，所以一旦装配完成即可使用。F、FH穿孔型冲压外圈满针尖头滚针轴承，MF、MFH封口型冲压外圈满针尖头滚针轴承，FY穿孔型冲压外圈满针平头滚针轴承，MFY封口型冲压外圈满针平头滚针轴承。

⊙This kind bearing consists of full of needles extending to outer raceway, thus bearing high load. It is applied to the situation where the devices mounted with needle roller bearings run in swinging operation with low and middle speed. Since the bearings are fed with lubricating grease when are delivered, it is unnecessary to add the lubricating grease in assembling.

- ⊙Model F, FH open-end drawn cup needle roller bearing with full of needles,
- ⊙Model MF, MFH hole-sealed drawn cup needle roller bearing with full of needles,
- ⊙Model FY open-end drawn cup needle roller bearing with full of flat-head needles,
- ⊙Model MFY close-end drawn cup needle roller bearing with full of flat-head needles

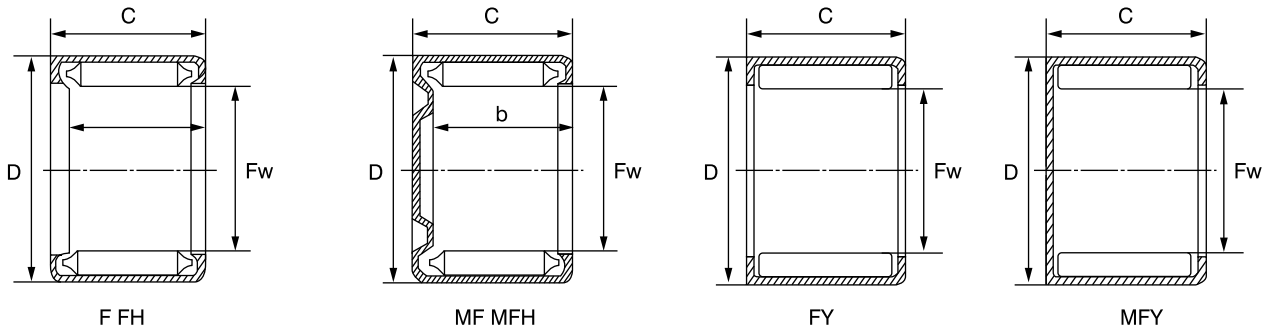


冲压外圈满装滚针轴承 Drawn Cup Full Complement Needle Roller Bearings



轴径 Shaft Diameter	轴承型号 Bearing Designation		重量 Mass 近似 Approx	外形尺寸 Boundary Dimensions			基本额定负荷 Basic Load Rating		极限转速 Limiting Speed
	现型号 Current Code	原型号 Original Code		Fw	D	C	动 Dynamic	静 Static	油润滑 Oil
	mm			g	mm			N	
6	F-0608	30941/6	2.5	6	10	8	3080	5800	12000
6.35	F6.35X11.11X11.13	B-47	3.2	6.35	11.11	11.13	3500	6050	12000
	MF6.35X11.11X11.13	M-471	4.1	6.35	11.11	11.13	3500	6050	12000
8	F-0810	50941/8	3.7	8	12	10	4050	7150	13000
	FH-0810	941/8	7	8	14	10	5200	7150	7400
	FH-0812	942/8	9	8	14	12	4550	7150	7400
9	F-0910	50941/9	4	9	13	10	4900	8050	12000
	F-091510	941/9	6	9	15	10	8000	11500	7100
	F-091513	942/9	8	9	15	13	8560	12800	7100
9.52	F-9.52X14.29X12.7	B-68	7.5	9.52	14.29	12.70	9000	13300	7100
10	F-1010	50941/10	4.2	10	14	10	5700	9350	11000
	FH-1010	941/10	6.5	10	16	10	6350	10800	11000
	F-101615	942/10	12	10	16	15	6890	11500	7100
		943/10		10	16	17	6500	11000	7000
12	F-1212	60941/12	6	12	16	12	6380	10900	7100
	F-121712	941/12	8	12	17	12	8400	11900	7100
	F-121715	942/12	10.5	12	17	15	9000	12500	7100
	F-121718	943/12	13	12	17	18	9800	13500	7100
15	F-15X20X12	941/15	10	15	20	12	8400	11900	7100
	F-15X20X16	942/15	13.6	15	20	16	9500	12800	7100
	F-15X20X20	943/15	17.2	15	20	20	10500	16000	7100
	F-15X20X20	Y152020	20	15	20	20	10500	16000	7100
	F-1512	30941/15	12	15	21	12	9700	15900	8100
12	F-1616	50941/16	17	16	22	16	14100	25900	7700
17	F-1712	30941/17	13	17	23	12	10600	21600	7300
	F-1714	941/17	15	17	23	14	12500	22500	7300
	F-1718	942/17	21	17	23	18	13800	24800	7300
	F-1722	943/17		17	23	22	13500	24000	7100
18	F-1816	50941/18	18	18	24	16	15000	29100	6900
20	F-2014	941/20	17	20	26	14	15800	40500	6900
	F-2020	942/20	26	20	26	20	18800	42500	6900
	F-20X26X25	943/20	33	20	26	25	20500	35500	6300
22	F-2212	30941/22	14	22	28	12	9000	13300	5800
	F-2216	50941/22	22	22	28	16	17000	33000	5800
	F-2220	70941/22	29	22	28	20	20300	47200	5800
25	F-2516	941/25	28	25	32	16	18700	37900	5100
	F-2522	942/25	40	25	32	22	11000	16500	5100
	F-25X32X25	943/25	43	25	32	25	11500	18500	5100
	F-25X33X08	Y253308	16.7	25	33	8	12200	16800	4300

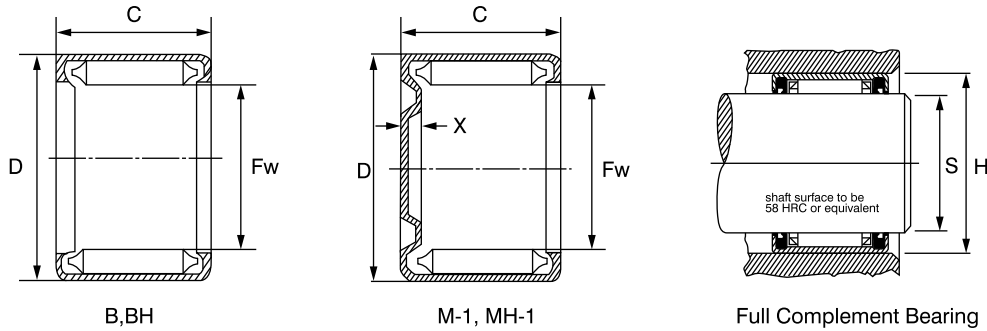
冲压外圈满装滚针轴承 Drawn Cup Full Complement Needle Roller Bearings



轴径 Shaft Diameter	轴承型号 Bearing Designation		重量 Mass 近似 Approx	外形尺寸 Boundary Dimensions			基本额定负荷 Basic Load Rating		极限转速 Limiting Speed
	现型号 Current Code	原型号 Original Code		Fw	D	C	动 Dynamic	静 Static	油润滑 Oil
				mm			N		rpm
25	F-2512	20941/25	17	25	32	12	5250	6000	5100
	F-2520	60941/25	43	25	32	20	22800	46000	5100
28	F-2820	60941/28	118	28	35	20	25700	58300	4600
	F-2812	20941/28	31.7	28	35	12	16500	38600	4600
	F-2816	40941/28	36	28	35	16	20200	42900	4600
30	F-3020	60941/30	42	30	37	20	26800	62500	4300
	MF-3020	65941/30	48	30	37	20	26800	62500	4300
	F-30X38X16	941/30	37.5	30	38	16	25500	57500	4600
	F-30X38X24	942/30	37.5	30	38	24	28800	64500	4300
	F-30X38X32	943/30	81.5	30	38	32	34500	78900	4300
	F-3014	30941/30	37	30	37	14	19600	41200	4600
	F-3016	4094/30	40	30	37	16	21700	46500	4300
	F-3026		58.5	30	37	26	35000	74000	4300
32	F-32X39X32	943/32		32	39	32	35000	74000	4300
	F-3216	40941/32	35	32	39	16	25800	61500	4300
35	F-3520	60941/35	49	35	42	20	24000	69100	3700
	F-35X43X16	941/35	41	35	43	16	23500	68000	3700
	F-35X43X25	942/35	72	35	43	25	38700	86200	3200
	F-35X43X32	943/35	90	35	43	32	40500	98700	3200
	F-3512	20941/35	36	35	42	12	19000	59000	3700
40	F-4020	60941/40	56	40	47	20	30300	52600	3300
	FH-4032	942/40	88	40	50	32	42500	108000	2600
	MFH-4032	86942/40	95	40	50	32	42500	108000	2600
	FH-40X50X38	943/40	105	40	50	38	44800	118500	2600
	F-4016	40941/40	51	40	47	16	26500	62000	3300
45	F-4520		62	45	52	20	30400	30400	2900
	FH45X55X38	943/45	140	45	55	38	45800	45800	2900
	F-4516	40941/45	49	45	52	16	23800	65900	2900
50	F-5020	50941/50	78	50	58	20	35800	98000	2600
	FH-50X60X38	943/50	145	50	60	38	50500	145800	2600
55	F-5520	50941/55	97	55	63	20	39500	102000	2600
60	F-60X68X38	943/60	185	60	68	38	50200	145000	2600

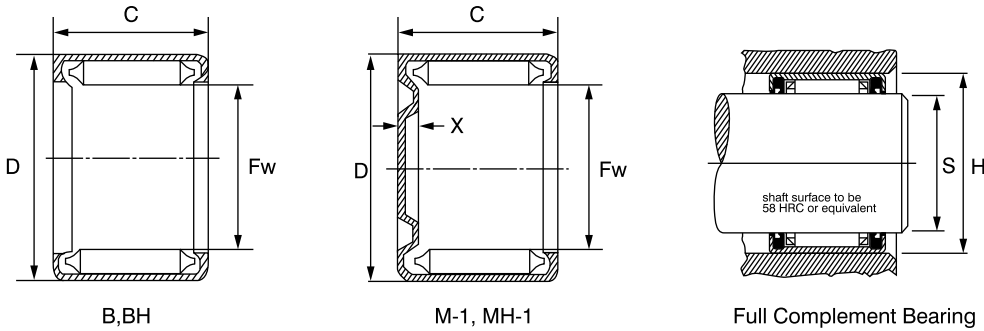
冲压外圈满针轴承 (英制系列)

Full Complement Bearings, Open Ends, Closed One End (Inch Series)



轴径 Shaft Diameter	外形尺寸 Boundary Dimensions mm/inch				轴承型号 Bearing Designation		基本额定负荷 Load Ratings kN/lbf		极限转速 Limiting Speed		重量 Wt. kg/lbs. Approx	
	+0 +0.000 -0.3 -0.100						动 Dynamic	静 Static	脂润滑 Dynamic	油润滑 Oil	平口型 Open Ends	封口型 Closed Ends
inch	Fw	D	C	Y			C	C ₀	RPM			
1/8	3.175 0.1250	6.350 0.2500	6.35 0.250	—	B-24	—	1.73 390	1.65 370	8100	13000	0.001 0.002	—
5/32	3.970 0.1563	7.142 0.2812	6.35 0.250	—	B-2-1/2-4	—	2.00 450	2.00 450	7000	11000	0.001 0.002	—
	3.970 0.1563	7.142 0.2812	7.92 0.312	—	B-2-1/2-5	—	2.58 580	2.80 630	7000	11000	0.001 0.003	—
3/16	4.763 0.1875	8.733 0.3438	6.35 0.250	1.78 0.07	B-34	M-341	2.22 500	2.14 480	7000	11000	0.001 0.003	0.002 0.004
	4.763 0.1875	8.733 0.3438	9.53 0.375	1.78 0.07	B-36	M-361	3.78 850	4.23 950	7000	11000	0.002 0.005	0.003 0.006
1/4	6.350 0.2500	11.113 0.4375	6.35 0.250	2.03 0.08	B-44	M-441	2.76 620	2.62 590	6500	10000	0.002 0.005	0.003 0.006
	6.350 0.2500	11.113 0.4375	7.92 0.312	2.03 0.08	B-45	M-451	3.56 800	3.69 830	6500	10000	0.003 0.007	0.004 0.008
	6.350 0.2500	11.113 0.4375	9.53 0.375	—	B-46	—	4.54 1020	5.03 1130	6500	10000	0.004 0.008	—
	6.350 0.2500	11.113 0.4375	11.13 0.438	2.03 0.08	B-47	M-471	5.52 1240	6.45 1450	6500	10000	0.004 0.009	0.005 0.011
5/16	7.938 0.3125	12.700 0.5000	7.92 0.312	2.03 0.08	B-55	M-551	4.09 920	4.58 1030	5400	8300	0.004 0.008	0.004 0.009
	7.938 0.3125	12.700 0.5000	9.53 0.375	—	B-56	—	5.25 1180	6.32 1420	5400	8300	0.005 0.010	—
	7.938 0.3125	12.700 0.5000	11.13 0.438	2.03 0.08	B-57	M-571	6.32 1420	8.1 1820	5400	8300	0.005 0.011	0.006 0.013
	7.938 0.3125	12.700 0.5000	14.27 0.562	—	B-59	—	8.36 1880	11.60 2600	5400	8300	0.006 0.014	—
	7.938 0.3125	14.288 0.5625	11.13 0.438	2.29 0.09	BH-57	MH-571	7.03 1580	7.34 1650	7500	12000	0.007 0.016	0.008 0.018
	7.938 0.3125	14.288 0.5625	14.27 0.562	—	BH-59	—	9.47 2130	10.80 2420	7500	12000	0.009 0.020	—
3/8	9.525 0.3750	14.288 0.5625	7.92 0.312	2.03 0.08	B-65	MH-651	4.54 1020	5.52 1240	4600	7100	0.004 0.009	0.005 0.010
	9.525 0.3750	14.288 0.5625	9.53 0.375	2.03 0.08	B-66	MH-661	5.83 1310	7.61 1710	4600	7100	0.005 0.011	0.005 0.012
	9.525 0.3750	14.288 0.5625	11.13 0.438	—	B-67	—	7.07 1590	9.7 2180	4600	7100	0.006 0.013	—
	9.525 0.3750	14.288 0.5625	12.70 0.500	2.03 0.08	B-68	M-681	8.18 1840	11.80 2650	4600	7100	0.007 0.015	0.008 0.017
	9.525 0.3750	14.288 0.5625	14.27 0.562	—	B-69	—	9.34 2100	13.92 3130	4600	7100	0.007 0.016	—
	9.525 0.3750	14.288 0.5625	15.88 0.625	2.03 0.08	B-610	M-6101	10.4 2340	16.00 3590	4600	7100	0.008 0.018	0.01 0.021
	9.525 0.3750	15.875 0.6250	12.70 0.500	—	BH-68	—	9.34 2100	10.90 2460	6500	10000	0.010 0.021	0.000
	11.113 0.4375	15.875 0.6250	9.53 0.375	—	B-76	—	6.36 1430	8.90 2000	4100	6300	0.005 0.012	—
7/16	11.113 0.4375	15.875 0.6250	11.13 0.438	—	B-77	—	7.70 1730	11.3 2550	4100	6300	0.007 0.015	—
	11.113 0.4375	15.875 0.6250	12.70 0.500	2.03 0.08	B-78	M-781	8.99 2020	13.80 3100	4100	6300	0.008 0.017	0.009 0.019
	11.113 0.4375	15.875 0.6250	15.88 0.625	—	B-710	—	11.3 2550	18.7 4200	4100	6300	0.010 0.021	—

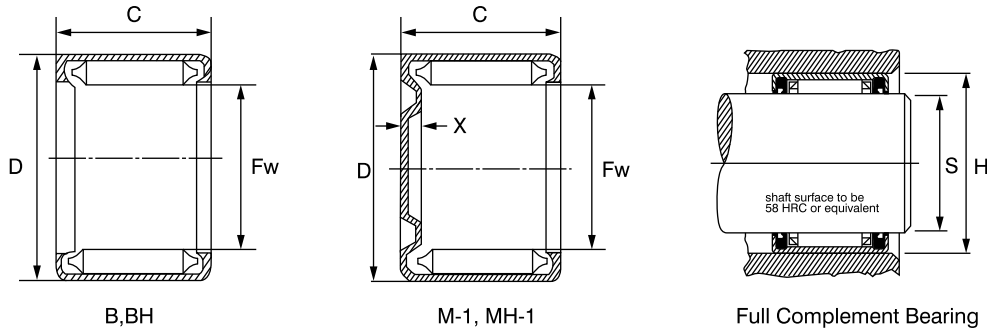
冲压外圈满针轴承（英制系列） Full Complement Bearings, Open Ends, Closed One End (Inch Series)



轴径 Shaft Diameter	外形尺寸 Boundary Dimensions mm/inch				轴承型号 Bearing Designation		基本额定负荷 Load Ratings kN/lbf		极限转速 Limiting Speed		重量 Wt. kg/lbs. Approx	
	+0 +0.000 -0.3 -0.100						动 Dynamic	静 Static	脂润滑 Dynamic	油润滑 Oil	平口型 Open Ends	封口型 Closed Ends
inch	Fw	D	C	Y			C	C ₀	RPM			
1/2	111.113 0.4375	17.463 0.6875	12.70 0.500	—	BH-78	—	10.3 2320	12.8 2870	5700	8800	0.010 0.023	—
	12.700 0.5000	17.463 0.6875	7.92 0.312	2.03 0.08	B-85	M-851	5.34 1200	7.38 1660	3600	5600	0.005 0.012	0.006 0.014
	12.700 0.5000	17.463 0.6875	9.53 0.375	2.03 0.08	B-86	M-861	6.85 15.40	10.1 2280	3600	5600	0.006 0.014	0.007 0.016
	12.700 0.5000	17.463 0.6875	11.13 0.438	2.03 0.08	B-87	M-871	8.32 1870	13.0 2920	3600	5600	0.007 0.016	0.008 0.018
	12.700 0.5000	17.463 0.6875	12.70 0.500	2.03 0.08	B-88	M-881	9.61 2160	15.7 3530	3600	5600	0.009 0.019	0.010 0.021
	12.700 0.5000	17.463 0.6875	15.88 0.625	2.03 0.08	B-810	M-8101	12.2 2750	21.34 4800	3600	5600	0.010 0.023	0.012 0.026
	12.700 0.5000	17.463 0.6875	19.05 0.750	2.03 0.08	B-812	M-8121	14.7 3300	27.0 6060	3600	5600	0.013 0.028	0.014 0.031
	12.700 0.5000	19.050 0.7500	11.13 0.438	—	BH-87	—	9.47 2130	11.8 2650	5100	7900	0.010 0.023	—
	12.700 0.5000	19.050 0.7500	12.70 0.500	—	BH-88	—	11.2 2510	14.6 3280	5100	7900	0.012 0.026	—
	12.700 0.5000	19.050 0.7500	15.88 0.625	—	BH-810	—	14.4 3230	20.2 4540	5100	7900	0.015 0.033	—
12.700 0.5000	19.050 0.7500	19.05 0.750	2.29 0.09	BH-812	MH-8121	17.4 3910	25.8 5790	5100	7900	0.018 0.039	0.020 0.044	
9/16	14.288 0.5625	19.050 0.7500	7.92 0.312	2.03 0.08	B-95	M-951	5.74 1290	8.32 1870	3300	5500	0.006 0.013	0.006 0.014
	14.288 0.5625	19.050 0.7500	9.53 0.375	2.03 0.08	B-96	M-961	7.34 1650	11.4 2570	3300	5500	0.007 0.015	0.008 0.018
	14.288 0.5625	19.050 0.7500	11.13 0.438	2.03 0.08	B-97	M-971	8.85 1990	14.6 3280	3300	5500	0.008 0.018	0.010 0.021
	14.288 0.5625	19.050 0.7500	12.70 0.500	2.03 0.08	B-98	M-981	10.3 2320	17.7 3990	3300	5500	0.009 0.020	0.010 0.023
	14.288 0.5625	19.050 0.7500	15.88 0.625	2.03 0.08	B-910	M-9101	13.1 2940	24.0 5400	3300	5500	0.012 0.026	0.013 0.029
	14.288 0.5625	19.050 0.7500	19.05 0.750	2.03 0.08	B-912	M-9121	15.7 3520	30.3 6820	3300	5500	0.014 0.031	0.015 0.034
	14.288 0.5625	20.638 0.8125	12.70 0.500	—	BH-98	—	12.0 2690	16.5 3700	4600	7100	0.013 0.029	—
	14.288 0.5625	20.638 0.8125	15.88 0.625	—	BH-910	—	15.4 3460	22.7 5110	4600	7100	0.016 0.036	—
	14.288 0.5625	20.638 0.8125	19.05 0.750	—	BH-912	—	18.6 4190	29.0 6520	4600	7100	0.020 0.043	—
	5/8	15.875 0.6250	20.638 0.8125	7.92 0.312	2.03 0.08	B-105	M-1051	6.1 1360	9.25 2080	3000	4500	0.006 0.014
15.875 0.6250		20.638 0.8125	11.13 0.438	2.03 0.08	B-107	M-1071	9.39 2110	16.2 3650	3000	4500	0.009 0.020	0.010 0.022
15.875 0.6250		20.638 0.8125	12.70 0.500	2.03 0.08	B-108	M-1081	10.9 2450	19.7 4430	3000	4500	0.010 0.022	0.012 0.026
15.875 0.6250		20.638 0.8125	15.88 0.625	2.03 0.08	B-1010	M-10101	13.80 3110	26.7 6000	3000	4500	0.013 0.028	0.015 0.032
15.875 0.6250		20.638 0.8125	19.05 0.750	2.03 0.08	B-1012	M-10121	16.6 3720	33.7 7580	3000	4500	0.015 0.034	0.017 0.038
15.875 0.6250		22.212 0.8745	12.70 0.500	2.29 0.09	BH-108	MH-1081	12.7 2860	18.3 4110	4200	6500	0.014 0.031	0.016 0.035

冲压外圈满针轴承 (英制系列)

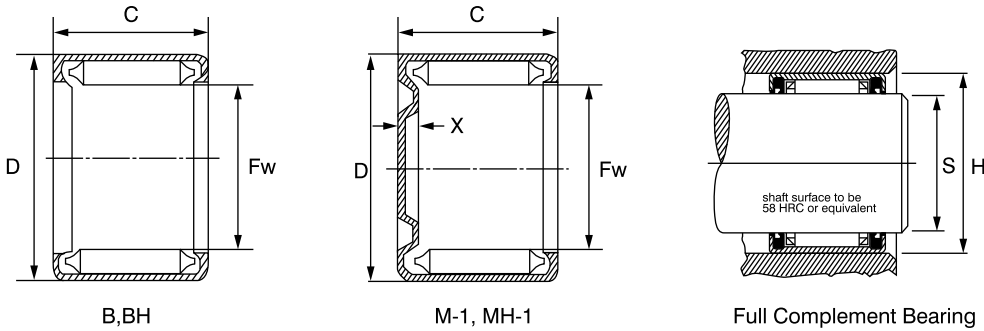
Full Complement Bearings, Open Ends, Closed One End (Inch Series)



轴径 Shaft Diameter	外形尺寸 Boundary Dimensions mm/inch				轴承型号 Bearing Designation		基本额定负荷 Load Ratings kN/lbf		极限转速 Limiting Speed		重量 Wt. kg/lbs. Approx	
	+0 +0.000 -0.3 -0.100						动 Dynamic	静 Static	脂润滑 Dynamic	油润滑 Oil	平口型 Open Ends	封口型 Closed Ends
inch	Fw	D	C	Y			C	C ₀	RPM			
5/8	15.875 0.6250	22.212 0.8745	15.88 0.625	—	BH-1010	—	16.4 3680	25.3 5680	4200	6500	0.018 0.039	—
	15.875 0.6250	22.212 0.8745	19.05 0.750	—	BH-1012	—	19.8 4450	32.3 7250	4200	6500	0.021 0.047	—
	15.875 0.6250	22.212 0.8745	25.40 1.000	—	BH-1016	—	26.2 5890	46.3 10400	4200	6500	0.028 0.062	—
11/16	17.463 0.6875	22.212 0.8745	9.53 0.375	2.03 0.08	B-116	M-1161	8.18 1840	14.0 3140	2700	4200	0.008 0.018	0.009 0.020
	17.463 0.6875	22.212 0.8745	12.70 0.500	2.03 0.08	B-118	M-1181	11.5 2580	21.7 4880	2700	4200	0.011 0.024	0.012 0.027
	17.463 0.6875	22.212 0.8745	15.88 0.625	2.03 0.08	B-1110	M-11101	14.6 3270	29.4 6610	2700	4200	0.014 0.030	0.015 0.034
	17.463 0.6875	22.212 0.8745	19.05 0.750	2.03 0.08	B-1112	M-11121	17.4 3920	37.1 8340	2700	4200	0.016 0.036	0.019 0.041
	17.463 0.6875	23.813 0.9375	11.13 0.438	—	BH-117	—	11.4 2560	16.2 3650	3900	6000	0.014 0.030	—
	17.463 0.6875	23.813 0.9375	15.88 0.625	2.29 0.09	BH-1110	MH-11101	17.3 3890	27.8 6250	3900	6000	0.019 0.042	0.021 0.047
	17.463 0.6875	23.813 0.9375	19.05 0.750	—	BH-1112	—	20.9 4700	35.5 7980	3900	6000	0.023 0.051	—
3/4	19.050 0.7500	25.400 1.0000	9.53 0.375	2.29 0.09	B-126	M-1261	9.7 2180	13.6 3050	3600	5600	0.012 0.027	0.014 0.031
	19.050 0.7500	25.400 1.0000	12.70 0.500	2.29 0.09	B-128	M-1281	14.1 3170	22.0 4940	3600	5600	0.016 0.036	0.019 0.041
	19.050 0.7500	25.400 1.0000	15.88 0.625	2.29 0.09	B-1210	M-12101	18.2 4080	30.3 6820	3600	5600	0.020 0.045	0.024 0.041
	19.050 0.7500	25.400 1.0000	19.05 0.750	2.29 0.09	B-1212	M-12121	21.9 4930	38.7 8710	3600	5600	0.024 0.054	0.028 0.062
13/16	20.638 0.8125	26.988 1.0625	9.53 0.375	—	B-136	—	10.1 2280	14.68 3300	3400	5200	0.013 0.029	—
	20.638 0.8125	26.988 1.0625	12.70 0.500	2.29 0.09	B-138	M-1381	14.8 3320	23.80 5350	3400	5200	0.018 0.039	0.020 0.044
	20.638 0.8125	26.988 1.0625	22.23 0.875	2.29 0.09	B-1314	M-13141	26.7 6010	51.15 11500	3400	5200	0.031 0.068	0.035 0.077
	20.638 0.8125	26.988 1.0625	25.40 1.000	2.29 0.09	B-1316	M-13161	30.3 6820	60.05 13500	3400	5200	0.035 0.078	0.040 0.088
	20.638 0.8125	26.988 1.0625	31.75 1.250	2.79 0.11	B-1320	—	37.3 8380	78.29 17600	3500	5200	0.044 0.098	—
	20.638 0.8125	28.575 1.1250	12.70 0.500	2.79 0.11	BH-138	MH-1381	14.9 3340	20.82 4680	4100	6300	0.023 0.050	0.026 0.057
	20.638 0.8125	28.575 1.1250	15.88 0.625	2.79 0.11	B-1310	MH-13101	19.70 4430	29.89 6720	4100	6300	0.029 0.063	0.032 0.071
	20.638 0.8125	28.575 1.1250	19.05 0.750	2.79 0.11	B-1312	MH-13121	24.2 5440	38.97 8760	4100	6300	0.034 0.076	0.039 0.086
7/8	22.225 0.8750	28.575 1.1250	9.53 0.375	2.29 0.09	B-146	M-1461	10.5 2370	15.84 3560	3100	4800	0.014 0.031	0.016 0.035
	22.225 0.8750	28.575 1.1250	12.70 0.500	2.29 0.09	B-148	M-1481	15.4 6450	25.62 5760	3100	4800	0.019 0.042	0.022 0.048
	22.225 0.8750	28.575 1.1250	19.05 0.750	2.29 0.09	B-1412	M-14121	23.9 5370	45.37 10200	3100	4800	0.028 0.062	0.032 0.070
	22.225 0.8750	28.575 1.1250	25.40 1.000	2.29 0.09	B-1416	M-14161	31.6 7100	64.94 14600	3100	4800	0.038 0.083	0.043 0.094

冲压外圈满针轴承 (英制系列)

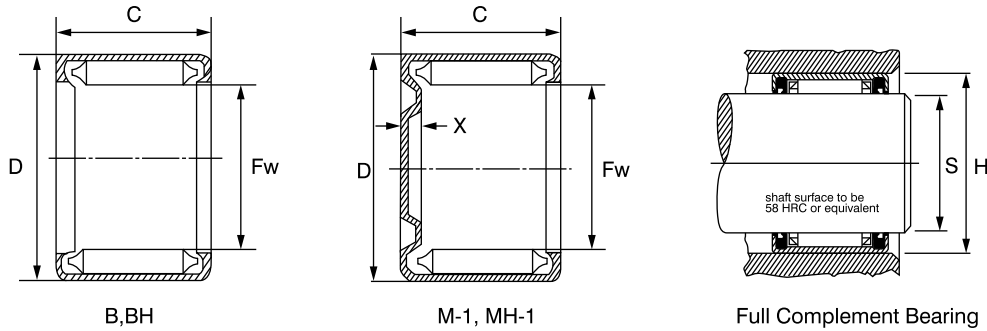
Full Complement Bearings, Open Ends, Closed One End (Inch Series)



轴径 Shaft Diameter	外形尺寸 Boundary Dimensions mm/inch				轴承型号 Bearing Designation		基本额定负荷 Load Ratings kN/lbf		极限转速 Limiting Speed		重量 Wt. kg/lbs. Approx	
	+0 +0.000 -0.3 -0.100						动 Dynamic	静 Static	脂润滑 Dynamic	油润滑 Oil	平口型 Open Ends	封口型 Closed Ends
inch	Fw	D	C	Y			C	C ₀	RPM			
1/8	22.225 0.8750	28.575 1.1250	28.58 1.125	—	B-1418	—	35.2 7920	74.73 16800	3100	4800	0.043 0.094	—
	22.225 0.8750	30.163 1.1875	15.88 0.625	2.79 0.11	BH-1410	MH-14101	20.3 4570	32.21 7240	3800	5880	0.030 0.067	0.035 0.076
	22.225 0.8750	30.163 1.1875	19.05 0.750	2.79 0.11	BH-1412	MH-14121	25.0 5620	41.99 9440	3800	5880	0.036 0.080	0.041 0.091
	22.225 0.8750	30.163 1.1875	25.40 1.000	—	BH-1416	—	33.7 7570	61.369 13800	3800	5880	0.049 0.107	—
15/16	23.813 0.9375	30.163 1.1875	12.70 0.500	—	B-158	—	15.9 3580	27.49 6180	3000	4500	0.020 0.044	—
	23.813 0.9375	30.163 1.1875	25.40 1.000	2.29 0.09	B-1516	M-15161	32.8 7370	69.39 15600	3000	4500	0.040 0.088	0.045 0.100
1/2	25.400 1.0000	31.750 1.2500	9.53 0.375	—	B-166	—	11.3 2550	18.10 4070	2800	4300	0.016 0.035	—
	25.400 1.0000	31.750 1.2500	11.13 0.438	2.29 0.09	B-167	M-1617	14.0 3140	23.66 5320	2800	4300	0.019 0.041	0.021 0.046
	25.400 1.0000	31.750 1.2500	15.88 0.625	2.29 0.09	B-1610	M-16101	21.3 4770	40.52 9110	2800	4300	0.026 0.058	0.030 0.066
	25.400 1.0000	31.750 1.2500	19.05 0.750	2.29 0.09	B-1612	M-16121	25.7 5770	51.60 11600	2800	4300	0.032 0.070	0.036 0.080
	25.400 1.0000	31.750 1.2500	25.40 1.000	2.29 0.09	B-1616	M-16161	33.9 7630	74.29 16700	2800	4300	0.043 0.094	0.048 0.106
	25.400 1.0000	33.338 1.3125	12.70 0.500	2.79 0.11	BH-168	MH-1681	16.6 3740	25.6 5760	3400	5200	0.027 0.060	0.031 0.068
	25.400 1.0000	33.338 1.3125	15.88 0.625	—	BH-1610	—	22.0 4950	36.8 8280	3400	5200	0.034 0.075	—
	25.400 1.0000	33.338 1.3125	19.05 0.750	2.79 0.11	BH-1612	MH-16121	27.1 6090	48.0 10800	3400	5200	0.041 0.090	0.046 0.102
	25.400 1.0000	33.338 1.3125	22.23 0.875	—	BH-1614	—	31.9 7170	59.2 13300	3400	5200	0.048 0.105	—
	25.400 1.0000	33.338 1.3125	25.40 1.000	2.79 0.11	BH-1616	MH-16161	36.5 8200	70.3 15800	3400	5200	0.054 0.120	0.062 0.136
	25.400 1.0000	33.338 1.3125	31.75 1.250	—	BH-1620	—	45.4 10200	93.0 20900	3400	5200	0.068 0.150	—
	25.400 1.0000	33.338 1.3125	38.10 1.500	2.79 0.11	BH-1624	MH-16241	53.4 12000	115.2 25900	3400	5200	0.082 0.180	0.093 0.204
1 1/16	26.988 1.0625	33.338 1.3125	15.88 0.625	2.29 0.09	B-1710	M-17101	21.9 4930	43.1 9680	2600	4000	0.028 0.062	0.032 0.070
	26.988 1.0625	34.925 1.3750	19.05 0.750	—	BH-1712	—	29.49 6630	52.49 11800	2300	3400	0.035 0.075	—
1 1/8	28.575 1.1250	34.925 1.3750	9.53 0.375	2.29 0.09	B-186	M-1861	12.1 2720	20.37 4580	2500	3800	0.018 0.039	0.020 0.044
	28.575 1.1250	34.925 1.3750	12.70 0.500	2.29 0.09	B-188	M-1881	17.6 3950	33.0 7420	2500	3800	0.024 0.052	0.027 0.059
	28.575 1.1250	34.925 1.3750	15.88 0.625	—	B-1810	—	22.6 5080	45.8 10300	2500	3800	0.029 0.065	—
	28.575 1.1250	34.925 1.3750	19.05 0.750	2.29 0.09	B-1812	M-18121	27.3 6140	58.3 13100	2500	3800	0.035 0.078	0.040 0.088
	28.575 1.1250	34.925 1.3750	25.40 1.000	2.29 0.09	B-1816	M-18161	36.2 8130	83.6 18800	2500	3800	0.047 0.104	0.054 0.118
	28.575 1.1250	38.100 1.5000	19.05 0.750	3.05 0.12	BH-1812	MH-18121	31.5 7090	52.9 11900	3600	5600	0.056 0.123	0.063 0.138

冲压外圈满针轴承 (英制系列)

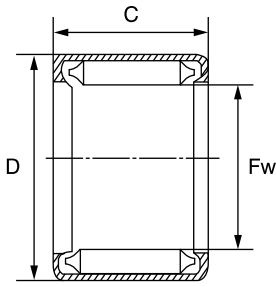
Full Complement Bearings, Open Ends, Closed One End (Inch Series)



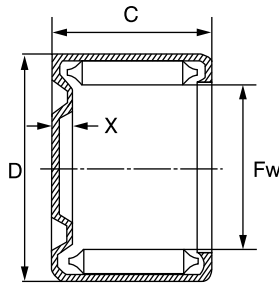
轴径 Shaft Diameter	外形尺寸 Boundary Dimensions mm/inch				轴承型号 Bearing Designation		基本额定负荷 Load Ratings kN/lbf		极限转速 Limiting Speed		重量 Wt. kg/lbs. Approx		
	+0 +0.000 -0.3 -0.100						动 Dynamic	静 Static	脂润滑 Dynamic	油润滑 Oil	平口型 Open Ends	封口型 Closed Ends	
inch	Fw	D	C	Y			C	C ₀	RPM				
	28.575 1.1250	38.100 1.5000	25.40 1.000	3.05 0.12	BH-1816	MH-18161	42.5 9560	77.8 17500	3600	5600	0.074 0.164	0.084 0.186	
	28.575 1.1250	38.100 1.5000	3175 1.250	3.05 0.12	BH-1820	MH-18201	52.9 11900	103.2 23200	3600	5600	0.093 0.205	0.105 0.232	
1 ³ / ₁₆	30.163 1.1875	38.100 1.5000	15.88 0.625	2.79 0.11	B-1910	M-19101	24.1 5420	43.8 9840	2900	4400	0.040 0.088	0.045 0.099	
	30.163 1.1875	38.100 1.5000	25.40 1.000	—	B-1916	—	40.0 8980	83.6 18800	2900	4400	0.064 0.140	—	
1 ¹ / ₄	31.750 1.2500	38.100 1.5000	12.70 0.500	2.29 0.09	B-208	M-2081	18.6 4170	36.6 8240	2300	3500	0.026 0.057	0.029 0.065	
	31.750 1.2500	38.100 1.5000	15.88 0.625	2.29 0.09	B-2010	M-20101	23.9 5370	50.7 11400	2300	3500	0.032 0.071	0.044 0.097	
	31.750 1.2500	38.100 1.5000	19.05 0.750	2.29 0.09	B-2012	M-20121	28.9 6490	64.5 14500	2300	3500	0.039 0.086	0.045 0.099	
	31.750 1.2500	38.100 1.5000	25.40 1.000	2.29 0.09	B-2016	M-20161	38.2 8590	92.5 20800	2300	3500	0.052 0.114	0.059 0.130	
	31.750 1.2500	38.100 1.5000	31.75 1.250	2.29 0.09	B-2020	M-20201	47.2 10600	121 27200	2300	3500	0.065 0.143	0.073 0.162	
	31.750 1.2500	41.275 1.6250	12.70 0.500	3.05 0.12	BH-208	MH-2081	19.7 4420	30 6750	3300	5000	0.041 0.090	0.046 0.102	
	31.750 1.2500	41.275 1.6250	19.05 0.750	3.05 0.12	BH-2012	MH-20121	33.1 7440	58.7 13200	3300	5000	0.061 0.135	0.069 0.153	
	31.750 1.2500	41.275 1.6250	25.40 1.000	3.05 0.12	BH-2016	MH-20161	44.98 10100	86.7 19500	3300	5000	0.081 0.179	0.092 0.203	
	31.750 1.2500	41.275 1.6250	31.75 1.250	3.05 0.12	BH-2020	MH-20201	56.0 12600	115 25800	3300	5000	0.102 0.224	0.115 0.254	
	1 ⁵ / ₁₆	33.338 1.3125	41.275 1.6250	12.70 0.500	2.79 0.11	B-218	M-2181	19.3 4330	33.7 7570	2600	4100	0.034 0.076	0.039 0.086
		33.338 1.3125	41.275 1.6250	15.88 0.625	2.78 0.11	B-2110	M-20101	25.5 5740	48.5 10900	2600	4100	0.043 0.095	0.049 0.108
		33.338 1.3125	41.275 1.6250	31.75 1.250	—	B-2120	—	52.5 11800	122 27500	2600	4100	0.087 0.191	—
1 ³ / ₈	34.925 1.3750	41.275 1.6250	12.70 0.500	2.29 0.09	B-228	M-2281	19.5 4390	40.4 9070	2100	3200	0.028 0.062	0.032 0.070	
	34.925 1.3750	41.275 1.6250	19.05 0.750	2.29 0.09	B-2212	M-22121	30.4 6830	71.2 16000	2100	3200	0.043 0.094	0.049 0.107	
	34.925 1.3750	41.275 1.6250	25.40 1.000	2.29 0.09	B-2216	M-22161	40.2 9030	102 22900	2100	3200	0.057 0.125	0.064 0.142	
	34.925 1.3750	41.275 1.6250	31.75 1.250	2.29 0.09	B-2220	M-22201	49.4 11100	133 29900	2100	3200	0.071 0.156	0.080 0.177	
	34.925 1.3750	44.450 1.7500	12.70 0.500	—	BH-228	—	21.2 4770	33.5 7540	3000	4700	0.044 0.098	—	
	34.925 1.3750	44.450 1.7500	15.88 0.625	—	BH-2210	—	28.5 6410	48.9 11000	3000	4700	0.055 0.122	—	
	34.925 1.3750	44.450 1.7500	19.05 0.750	3.05 0.12	BH-2212	3.05 0.12	35.3 7930	64.5 14500	3000	4700	0.066 0.146	0.075 0.165	
	34.925 1.3750	44.450 1.7500	25.40 1.000	3.05 0.12	BH-2216	3.05 0.12	47.6 10700	94.8 21300	3000	4700	0.088 0.195	0.100 0.221	
	34.925 1.3750	44.450 1.7500	31.75 1.250	—	BH-2220	—	59.6 13400	126 28300	3000	4700	0.111 0.244	0.125 0.276	
	1 ¹ / ₂	38.100 1.5000	47.625 1.8750	12.70 0.500	3.05 0.12	B-248	3.05 0.12	22.3 5020	37.1 8340	2800	4300	0.048 0.105	0.054 0.119

冲压外圈满针轴承（英制系列）

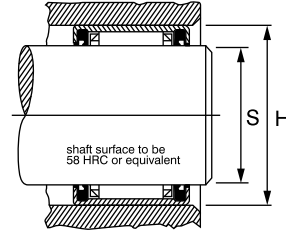
Full Complement Bearings, Open Ends, Closed One End (Inch Series)



B,BH



M-1, MH-1



Full Complement Bearing

轴径 Shaft Diameter	外形尺寸 Boundary Dimensions mm/inch				轴承型号 Bearing Designation		基本额定负荷 Load Ratings kN/lbf		极限转速 Limiting Speed		重量 Wt. kg/lbs. Approx	
	+0 +0.000 -0.3 -0.100						动 Dynamic	静 Static	脂润滑 Dynamic	油润滑 Oil	平口型 Open Ends	封口型 Closed Ends
inch	Fw	D	C	Y			C	C ₀	RPM			
	38.100 1.5000	47.625 1.8750	15.88 0.625	3.05 0.12	B-2410	M-24101	29.8 6710	53.8 12100	2800	4300	0.060 0.132	0.068 0.150
	38.100 1.5000	47.625 1.8750	19.05 0.750	3.05 0.12	B-2412	M-24121	36.9 8290	70.7 15900	2800	4300	0.072 0.158	0.081 0.179
	38.100 1.5000	47.625 1.8750	22.23 0.875	3.05 0.12	B-2414	M-24141	43.5 9780	87.6 19700	2800	4300	0.083 0.184	0.095 0.209
	38.100 1.5000	47.625 1.8750	25.40 1.000	3.05 0.12	B-2416	M-24161	49.8 11200	103 23300	2800	4300	0.096 0.211	0.108 0.239
	38.100 1.5000	47.625 1.8750	31.75 1.250	3.05 0.12	B-2420	M-24201	61.8 13900	138 31000	2800	4300	0.119 0.263	0.135 0.298
1 ⁵ / ₈	41.275 1.6250	50.800 2.0000	12.70 0.500	—	B-268	—	22.8 5120	39.2 8820	2600	3900	0.051 0.113	—
	41.275 1.6250	50.800 2.0000	15.88 0.625	3.05 0.12	B-2610	M-26101	30.6 6890	57.4 12900	2600	3900	0.064 0.141	0.073 0.16
	41.275 1.6250	50.800 2.0000	25.40 1.000	—	B-2616	—	51.6 11600	112 25200	2600	3900	0.103 0.226	—
	41.275 1.6250	50.800 2.0000	31.72 1.250	3.05 0.12	B-2620	M-26201	64.0 14400	149 33400	2600	3900	0.128 0.282	0.145 0.32
1 ³ / ₄	44.450 1.7500	53.975 2.1250	19.05 0.750	3.05 0.12	B-2812	M-28121	39.3 8830	81.4 18300	2400	3700	0.082 0.181	0.093 0.205
	44.450 1.7500	53.975 2.1250	25.40 1.000	3.05 0.12	B-2816	M-28161	53.4 12000	121 27100	2400	3700	0.110 0.242	0.124 0.274
	44.450 1.7500	53.975 2.1250	31.75 1.250	—	B-2820	—	66.3 14900	160 36000	2400	3700	0.137 0.302	—
	44.450 1.7500	53.975 2.1250	38.10 1.500	3.05 0.12	B-2824	M-26241	78.7 17700	199 44800	2400	3700	0.165 0.363	0.186 0.411
1 ⁷ / ₈	47.625 1.8750	57.150 2.2500	12.70 0.500	3.05 0.12	B-308	M-3081	25.1 5650	46.3 10400	2300	3500	0.059 0.129	0.066 0.146
	47.625 1.8750	57.150 2.2500	15.888 0.625	—	B-3010	—	33.6 7550	67.61 15200	2300	3500	0.073 0.161	—
	47.625 1.8750	57.150 2.2500	19.05 0.750	—	B-3012	—	41.5 9330	88.5 19900	2300	3500	0.088 0.193	—
	47.625 1.8750	57.150 2.2500	25.40 1.000	3.05 0.12	B-3016	M-30161	56.0 12600	130 29200	2300	3500	0.117 0.258	0.132 0.292
2	50.800 2.0000	60.325 2.3750	12.70 0.500	3.05 0.12	B-328	M-3281	25.4 5710	48.0 10800	2100	3300	0.062 0.136	0.070 0.154
	50.800 2.0000	60.325 2.3750	15.88 0.625	—	B-3210	—	34.2 7680	70.7 15900	2200	3300	0.078 0.171	—
	50.800 2.0000	60.325 2.3750	22.23 0.875	—	B-3216	—	54.3 11300	115 26000	2200	3300	0.108 0.239	—
	50.800 2.0000	60.325 2.3750	25.40 1.000	3.05 0.12	B-3016	M-32161	57.4 12900	138 31000	2100	3300	0.124 0.273	0.140 0.309
	50.800 2.0000	60.325 2.3750	31.75 1.250	3.05 0.12	B-3220	M-32201	71.6 16100	183 41100	2100	3300	0.155 0.341	0.175 0.386
	50.800 2.0000	60.325 2.3750	38.10 1.500	3.05 0.12	B-3224	M-32241	85.0 19100	228 51200	2100	3300	0.186 0.410	0.211 0.465
	50.800 2.0000	60.325 2.3750	44.45 1.750	3.05 0.12	B-3228	M-32281	97.4 21900	273 61300	2100	3300	0.217 0.478	0.245 0.541

冲压外圈有密封圈滚针轴承 Drawn Cup Needle Roller Bearing With Seal Ring

⊙密封的冲压外圈滚针轴承带有密封唇密封。在一般条件下，可保护轴承免于杂物侵入和防止润滑脂的泄漏。密封圈采用合成橡胶制成，使用温度为-20°C~120°C。轴承供货时内部已注有高质量锂基脂。另外，冲压外圈滚针轴承以不带油孔为标准设计，双列冲压外圈滚针轴承以带油孔标准设计，如需改变请在订货时说明。

⊙HK---2RS穿孔型双面密封冲压外圈滚针轴承，HK---RS穿孔型单面密封冲压外圈滚针轴承，BK---RS封口型单面密封冲压外圈滚针轴承。

⊙The sealed drawn cup needle roller bearing is mounted with sealing lip. In general, the sealing lip can protect bearing from penetration of impurities and leakage of lubricating grease. The seal ring is made of synthetic rubber with operating temperature in -20°C~120°C. The bearings are fed with high-quality lithium base grease. In addition, it is standard design for drawn cup needle roller bearing without oil hole and doublerow drawn cup needle roller bearing with oil hole. It should be stated in order if changed.

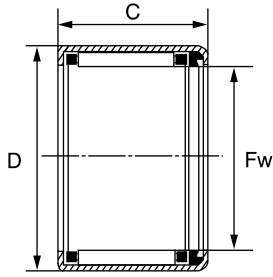
⊙Model HK 2RS open-end double-seal drawn cup needle roller bearing,

⊙Model HK RS open-end single-seal drawn cup needle roller bearing,

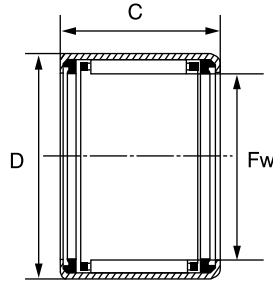
⊙Model BK RS close-end single seal drawn cup needle roller bearing



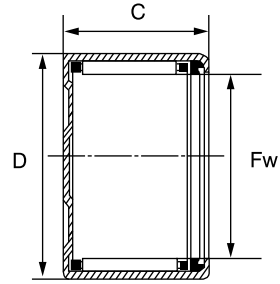
冲压外圈有密封滚针轴承 Drawn Cup Needle Roller Bearings With Seal Ring



HK---RS



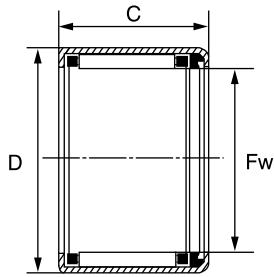
HK---2RS



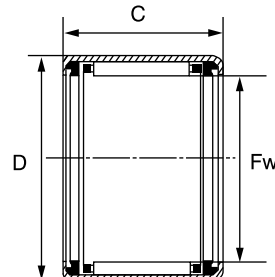
BK---RS

轴径 Shaft Diameter	轴承型号 Bearing Designation	重量 Mass 近似 Approx	外形尺寸 Boundary Dimensions			基本额定负荷 Basic Load Rating		极限转速 Limiting Speed
	现型号 Current Code		Fw	D	C	动 Dynamic	静 Static	油润滑 Oil
mm		g	mm			N		rpm
8	HK0810 RS	2.9	8	12	10	2250	2100	19000
	HK0812 2RS	3.5	8	12	12	2250	2100	19000
9	HK09X13X12 RS	4	9	13	12	3800	4300	19000
10	HK1012 RS	4.2	10	14	12	4100	5000	19000
	HK1014 2RS	5.2	10	14	14	4100	5000	15000
12	HK1214 RS	10.7	12	18	14	6100	7000	15000
	HK1216 2RS	11.5	12	18	16	6100	7000	12000
13	HK13X19X12 RS	8.9	13	19	12	6800	7580	12000
14	HK1414 RS	12	14	20	14	6100	7500	13000
	HK1416 2RS	14	14	20	16	6100	7500	11000
	BK1414 RS	14.1	14	20	14	6100	7500	11000
15	HK1514 RS	12.6	15	21	14	6800	8800	11000
	HK1516 2RS	14.3	15	21	16	6800	8800	10000
	BK1514 RS	14.4	15	21	14	6800	8800	10000
	HK1518 RS	16	15	21	18	9500	11400	10000
	HK1520 2RS	18	15	21	20	9500	11400	10000
16	HK1614 RS	15.1	16	22	14	7200	9200	10000
	HK1616 2RS	15.1	16	22	16	7200	9200	10000
	BK1614 RS	15.3	16	22	14	7200	9200	10000
	HK1620 2RS	16.8	16	22	20	9900	12300	10000
	HK1625 2RS		16	22	25	9900	12300	10000
17	HK17X25X14 RS	17.7	17	25	14	8000	9800	10000
	HK17X25X15.5 RS	20	17	25	15.5	9320	10400	13000
	HK17X25X18 RS	23.5	17	25	18	10500	12600	13000
	HK17X25X20 RS	26.2	17	25	20	11600	13200	13000
18	HK1814 RS	15.1	18	24	14	7800	9900	13000
	HK1816 2RS	17	18	24	16	7800	9900	9200
20	HK201 2RS	11.7	20	26	12	9500	11900	9200
	HK2016 2RS	18.8	20	26	16	8000	10100	9000
	HK2018 RS	21.4	20	26	18	12700	20100	8200
	HK2020 2RS	23.5	20	26	20	12700	20100	7800
	BK2018 RS	24.4	20	26	18	12700	20100	7800
	HK20X29X18 RS	28.8	20	29	18	8700	9980	7800
22	HK2212 RS	14	22	28	12	8310	10000	9000
	HK2214 RS	18.3	22	28	14	9000	12400	7800
	HK2216 2RS	20.3	22	28	16	9000	12400	7800
	HK2218 RS	23.5	22	28	18	10400	20100	7800
	HK2220 2RS	25.5	22	28	20	10400	20100	7800
25	HK2516 2RS	27.3	25	32	16	9800	13200	6900

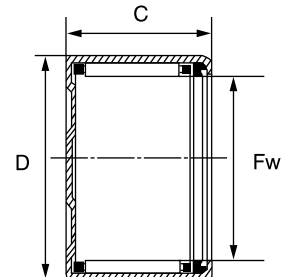
冲压外圈有密封滚针轴承 Drawn Cup Needle Roller Bearings With Seal Ring



HK---RS



HK---2RS



BK---RS

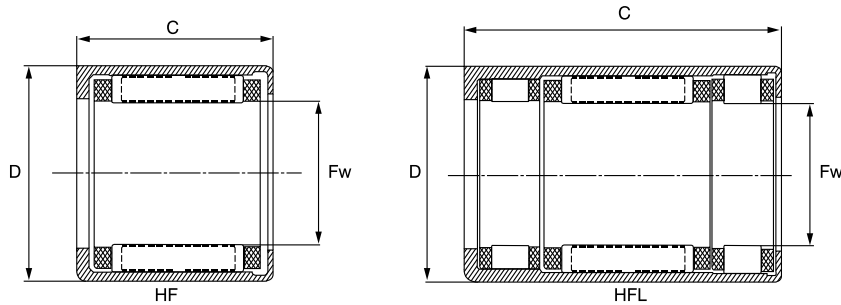
轴径 Shaft Diameter	轴承型号 Bearing Designation	重量 Mass 近似 Approx	外形尺寸 Boundary Dimensions			基本额定负荷 Basic Load Rating		极限转速 Limiting Speed
	现型号 Current Code		Fw	D	C	动 Dynamic	静 Static	油润滑 Oil
			g	mm			N	
25	HK2518 RS	31	25	32	18	13600	20000	6900
	HK2520 2RS	33.1	25	32	20	13600	20000	6900
	BK2518 RS	35.3	25	32	18	13600	20000	6900
	HK2524 2RS	39.7	25	32	24	17900	30000	6900
	HK2530 2RS	47.3	25	32	30	24500	43000	6900
28	HK2820 2RS	36.9	28	35	20	11400	22500	5300
30	HK3016 2RS	28.5	30	37	16	10100	16200	5300
	HK3018 RS	36.6	30	37	18	16200	26000	5300
	HK3020 2RS	39.1	30	37	20	16200	26000	5300
	HK3024 2RS	49.7	30	37	24	21000	38500	5300
35	HK3516 2RS	36.4	35	42	16	10100	20300	4900
	HK3518 RS	37.4	35	42	18	16700	30500	4900
	HK3520 2RS	41.1	35	42	20	16700	30500	4900
40	HK4016 2RS	41.2	40	47	16	11000	21300	4200
	HK4018 RS	47.3	40	47	18	19000	30500	4200
	HK4020 2RS	50.2	40	47	20	19000	30500	4200
45	HK4518 RS	54.2	45	52	18	20300	41000	3800
	HK4520 2RS	57.4	45	52	20	20300	41000	3800
50	HK5022 RS	77.2	50	58	24	30000	61000	3200
	HK5024 2RS	84	50	58	24	30000	61000	3200

冲压外圈滚针离合器 冲压外圈滚针离合器组件 Drawn Cup Needle Roller Clutch, Drawn Cup Needle Roller Clutch Assembly

- ⊙ 冲压外圈滚针离合器是采用优质钢板经精密冲制加工的薄壁冲压外圈，配合相应的塑料保持架、弹簧、和滚针组成单向离合器，可以传递单向力矩。
- ⊙ 冲压外圈滚针离合器本身不具备承载特性。可与HK和BK系列冲压外圈滚针轴承相同直径结合使用时可以解决。
- ⊙ 冲压外圈滚针离合器组件是将既能承受径向负荷又能传递扭矩这两个特性合为一体的支承轴承。
- ⊙ The drawn cup needle roller clutch is the overriding clutch (one-way clutch), composed of the outer ring punched with the high-quality steel sheet, plastic retainer, spring and needles, used for transferring one-way torque.
- ⊙ The drawn cup needle roller clutch has not the load carrying feature by itself. However it can play the action in combination with Model HK and BK drawn cup needle roller bearing.
- ⊙ The drawn cup needle roller clutch is the block bearing either withstanding the radial load or transferring torque.

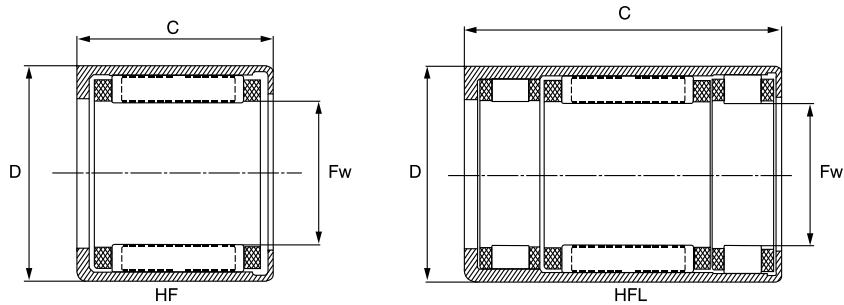


冲压外圈滚针离合器 Drawn Cup Needle Roller Bearings



轴径 Shaft Diameter	轴承型号 Bearing Designation	重量 Mass 近似 Approx	外形尺寸 Boundary Dimensions			基本额定负荷 Basic Load Rating		极限转速 Limiting Speed		传递 扭矩 Trans- mission torque N.m
	现型号 Current Code		Fw	D	C	动 Dynamic	静 Static	脂润滑 Grease	油润滑 Oil	
mm		g	mm			N		rpm		
4	HF0406	1	4	8	6			34000	14000	0.34
6	HF0612	3	6	10	12			23000	13000	1.76
8	HF0812	3.5	8	12	12			17000	12000	3.15
10	HF1012	4	10	14	12			14000	11000	5.3
12	HF1216	11.6	12	18	16			11000	8000	12.2
14	HF1416	13	14	20	16			9500	8000	17.3
16	HF1616	14	16	22	16			8500	7500	20.5
18	HF1816	15.5	18	24	16			7500	7500	24.1
20	HF2016	17	20	26	16			7000	6500	28.1
25	HF2520	30.9	25	32	20			5500	5500	66
30	HF3020	36	30	37	20			4500	4500	90
35	HF3520	40	35	42	20			3900	3900	121
4	HFL0408	1.6	4	8	8			34000	14000	0.34
6	HFL0615	4	6	10	15	4050	4650	23000	13000	1.76
8	HFL0822	6.3	8	12	22	4300	4650	17000	12000	3.15
10	HFL1022	7.4	10	14	22	6300	6500	14000	11000	5.3
12	HFL1226	18	12	18	26	7100	7700	11000	8000	12.2
14	HFL1426	20.3	14	20	26	7300	8400	9500	8000	17.3
16	HFL1626	22	16	22	26	8300	10300	8500	7500	17.3
18	HFL1826	24.4	18	24	26	8200	10400	7500	7500	20.5
20	HFL2026	27	20	26	26	10900	14100	7000	6500	28.5
25	HFL2530	44	25	32	30	12600	17600	5500	5500	66
30	HFL3030	51	30	37	30	13000	19300	4500	4500	90
35	HFL3530	58	35	42	30			3900	3900	121

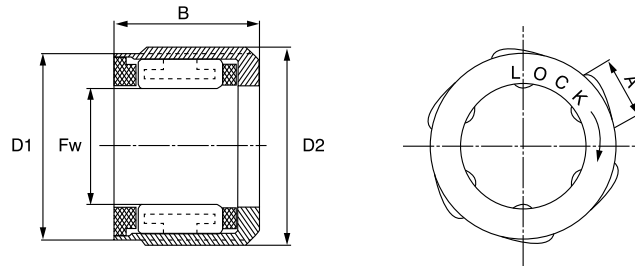
冲压外圈滚针离合器 (英制系列) Drawn Cup Needle Roller Bearings (Inch series)



轴承型号 Bearing Designation		重量 Mass 近似 Approx	外形尺寸 Boundary Dimensions						极限转速 Limiting Speed	传递 扭矩 Trans- mission torque
			Fw		D		C			
			g	inch	mm	inch	mm	inch		
-	R2-02	2	1/8	3.18	9/32	7.14	0.250	6.35	50000	2.86
-	FC-4	1	0.16	4	0.31	8	0.236	6	50000	2.78
FCS-6	-	3.5	0.24	6	0.39	10	0.472	12	39300	18.6
-	RC-040708	3.5	1/4	6.35	7/16	11.11	0.500	12.70	38000	17.2
FCL-8-K	-	4.7	0.31	8	0.47	12	0.472	12	28700	28.7
FC-8	-	4	0.31	8	0.55	14	0.472	12	30500	35.8
RC-061008-FS*	RC-061008	4.7	3/8	9.52	5/8	15.88	0.500	12.70	25300	45.4
FCL-10-K	-	4	0.39	10	0.55	14	0.472	12	22700	39.1
FC-10	-	4.8	0.39	10	0.63	16	0.472	12	23700	50.4
FC-12	-	11	0.47	12	0.71	18	0.630	16	19300	118
RC-081208-FS*	RC-081208	9.2	1/2	12.70	3/4	19.05	0.500	12.70	18700	73.6
RC-101410-FS*	RC-101410	14.5	5/8	15.88	7/8	22.22	0.625	15.88	14700	143
FC-16	-	14	0.63	16	0.87	22	0.630	16	14000	182
RS-121610-FS*	-	17	3/4	19.05	1	25.40	0.625	15.88	11300	196
FC-20	RC-162110	17	0.79	20	1.02	26	0.630	16	10700	274
FC-25	-	30	0.98	25	1.26	32	0.787	20	8570	605
RC-162110-FS*	-	25.4	1	25.40	1 ³ / ₁₆	33.34	0.625	15.88	8670	412
FC-30	-	36	1.18	30	1.46	37	0.787	20	7330	845
FCS-35	-	40	1.38	35	1.65	42	0.787	20	6130	913

轴承型号 Bearing Designation		重量 Mass 近似 Approx	外形尺寸 Boundary Dimensions						基本额定负荷 Basic Load Ratig(N)		极限转速 Limiting Speed	传递 扭矩 Trans- mission torque
			Fw		D		C		动 Dynamic	静 Static		
			g	inch	mm	inch	mm	inch				
FCBL-8-K	-		0.31	8	0.47	12	0.866	22	532		28700	29.0
FCB-8	-	10	0.31	8	0.55	14	0.787	20	541		30500	35.8
RCB-061014-FS*	RCB-061014	12	3/8	9.52	5/8	15.88	0.875	22.22	848		25300	45.4
FCB-10	-	15	0.39	10	0.63	16	0.787	20	628		23700	50.4
FCB-12	-	18	0.47	12	0.71	18	1.024	26	882		19300	118
RCB-081214-FS*	RCB-081214	16	1/2	12.7	3/4	19.05	0.875	22.22	1020		18700	73.6
RCB-101416-FS*	RCB-101416	21.3	5/8	15.88	7/8	22.22	1.000	25.40	1140		14700	143
FCB-16	-	22	0.63	16	0.87	22	1.024	26	951		14000	182
RCB-121616-FS*	RCB-11616	26.5	3/4	19.05	1	25.40	1.000	25.4	1270		11300	196
FCB-20	-	27	0.79	20	1.02	26	1.024	26	1180		10700	274
FCB-25	-	44	0.99	25	1.26	32	1.181	30	1580		8670	605
RCB-162117-FS*	RCB-162117	44.8	1	25.40	1 ⁵ / ₁₆	33.34	1.063	27	2240		8670	412
FCB-30	-	51	1.18	30	1.46	37	1.181	30	1620		7300	845

EWC 单向轴承 One Way Clutch



轴径 Shaft Dia d	外形尺寸 Boundary Dimensions					传动力矩 Torque Capacity	
	Fw	D1	D2	B	A	N.m(牛顿.米)	Kg.cm(千克.厘米)
mm	mm						
4	4	8	8.4	6	2.6	0.08	0.82
	4	8	8.4	6	2.6	0.15	1.53
6	6	10	10.4	8	2.8	0.25	2.55
	6	10	10.4	8	2.8	0.44	4.49
	6	10	10.4	8	2.8	0.44	4.49
	6	10	10.4	12	2.8	0.88	8.98
8	8	12	12.4	9	2.6	0.49	5
	8	12	12.4	9	2.6	0.88	8.98
	8	14.2	15	12	3.6	1.18	12.04
	8	14.2	15	12	3.6	1.96	20
	8	14.2	15	12	3.6	1.96	20
	8	14.2	15	14.5	3.6	2.65	27.04
10	10	16	17	10	5	1.18	12.04
	10	16	17	10	5	1.96	20
	10	16	17	12	5	1.37	13.98
	10	16	17	12	5	2.35	23.98
	10	16	17	12	5	2.35	23.98
12	12	8	19	16	5.1	6.28	64.08

向心滚针和保持架组件 Radial Needle Roller and Cage Assemblies

- ⊙ 滚针和保持架组件为一独立的轴承元件，其中每个滚针由保持架精确地引导和保持。它实现了最小的结构空间下具有高负荷能力和高刚性的轴承设计。保持架的两引导面间距宽广，保证了滚针和保持架组件的精确引导。
- ⊙ 滚针和保持架组件适用于轴和座孔可作为滚道之处。在具有高尺寸精度、几何精度的轴和座孔滚道下，可得到最高旋转精度。
- ⊙ 轴部位的工作间隙取决于内外滚道的公差、滚针组差和工作温度。

⊙ The needle roller and cage assembly is an independent bearing element. The each of needle roller is guided and caged accurately by the cage. It has the highest load carrying capacity and the high rigid design in the smallest structure and space. The wide distance between two guiding surfaces of cage ensures the accurate guide of needle roller and cage assembly.

⊙ Needle roller and cage assembly is suitable for the place where the shaft and housing bore are acted as the raceway. Under the geographic accuracy shaft and housing bore raceway, the highest rotation precision can be obtained.

⊙ The working clearance in bearing location is dependent on the tolerance of inner and outer raceways, needle roller difference and working temperature.



向心滚针和保持架组件 Radial Needle Roller and Cage Assemblies

⊙向心滚针和保持架组件K、K---D型，该种轴承只有一组向心滚针和保持架组件，外径尺寸小，适用于径向尺寸特别受限制的部件中，用来承受径向负荷。K---ZW、K---ZWD型为双列向心滚针和保持架组件。

⊙该种轴承由于无套圈，与其相配的轴颈表面和外壳孔表面直接作为滚动面要求其表面硬度HRC60、表面粗糙度Ra值不大于0.63μm

⊙为满足主机要求，该种轴承可加工成剖分式，便于装拆。K---D表示剖分式、单列，K---ZWD表示剖分式、双列。

⊙K单列向心滚针和保持架组件

K---ZW双列向心滚针和保持架组件

⊙K---D剖分式单列向心滚针和保持架组件

K---ZWD剖分式双列向心滚针和保持架组件

⊙As for Model K, K D radial needle and retainer assembly, this kind of bearing only has a group of radial needle and retainer assembly. With small outside diameter size, it is suitable for the parts, where the radial sizes are specially limited, used for bearing the radial load. Model K ZW, K ZWD radial needle and retainer assembly is the double row radial needle and retainer assembly.

⊙As for this kind of bearing, since it has not collar, the surface of journal and the surface of hole at the housing are directly acted as rolling surface with surface hardness HRC 60 and surface roughness Ra no more than 0.63 m.

⊙In order to satisfy the requirement of main machine, this kind of bearing can be made in split bearing, convenient for mounting. Model K D represents as the single row split bearing and Model K ZWD represents as double row split bearing.

⊙(1-1) K single-row radial needle roller and cage assembly

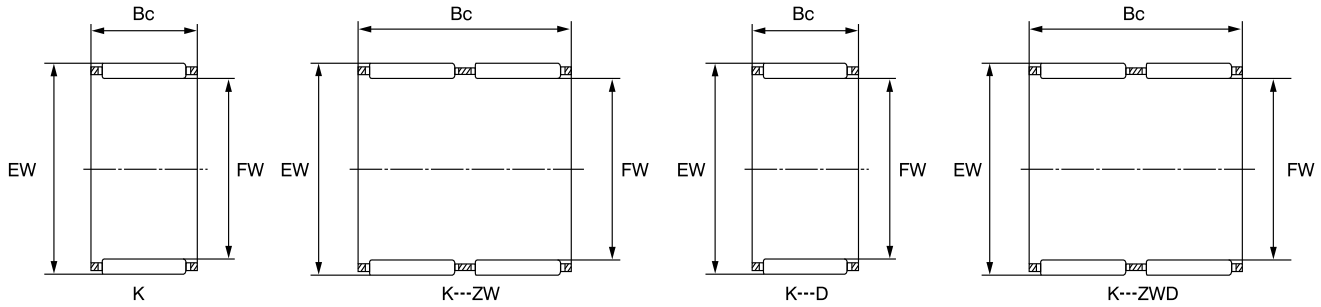
⊙(1-2) K...ZW double-row radial needle roller and cage assembly

⊙(1-3) K... D partial single-row radial needle roller and cage assembly

⊙(1-4) K...ZWD double-row radial needle roller and cage assembly

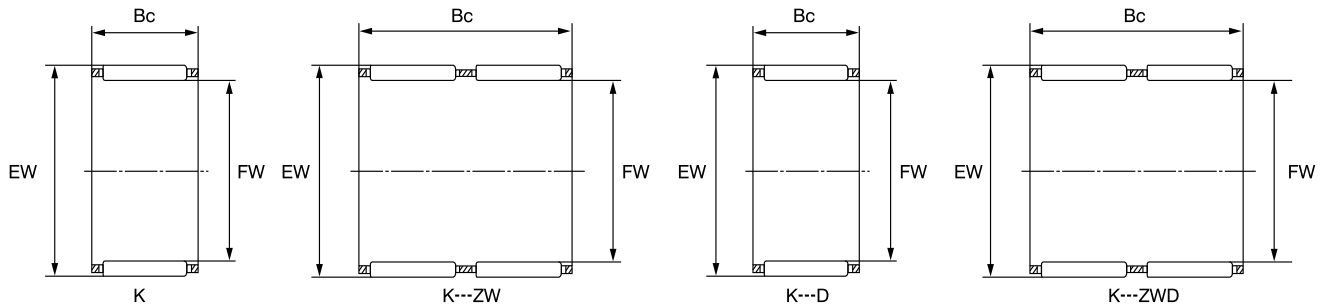


向心滚针和保持架组件 Radial Needle Roller and Cage Assemblies



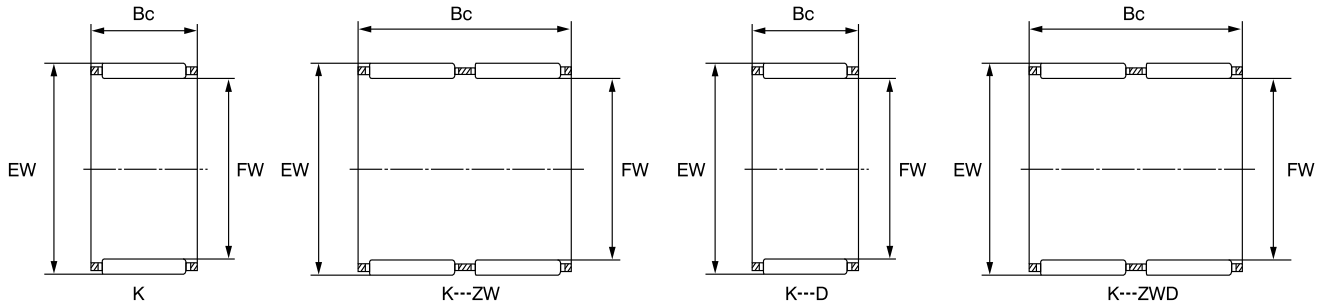
轴径 Shaft Diameter	轴承型号 Bearing Designation		重量 Mass 近似 Approx	外形尺寸 Boundary Dimensions			基本额定负荷 Basic Load Rating		极限转速 Limiting Speed
	现型号 Current Code	原型号 Original Code		Fw	Ew	Bc	动 Dynamic	静 Static	油润滑 Oil
				mm			N		rpm
3	K3×5×7TN		0.3	3	5	7	1.54	1.29	50000
	K3×5×9TN		0.4	3	5	9	1.71	1.48	
	K3×6×7TN		0.4	3	6	7	1.43	0.97	47000
4	K4×7×7TN		0.5	4	7	7	2.33	1.84	43000
	K4×7×10TN		0.7	4	7	10	2.35	1.92	39000
5	K5×8×8TN	29241/5	0.7	5	8	8	2300	1880	37000
	K5×8×10TN	39241/5	0.9	5	8	10	2800	2450	37000
6	K6×9×8TN	29241/6	0.8	6	9	8	25600	2240	35000
	K6×9×10TN	39241/6	1	6	9	10	3300	3100	35000
	K6×10×13TN	19241/6	1.3	6	10	13	3500	2800	33000
7	K7×10×8TN	29241/7	0.9	7	10	8	2750	2550	32000
	K7×10×10TN	39241/7	1.1	7	10	10	3350	3400	32000
8	K8×11×8TN	29241/8	1.1	8	11	8	3000	2900	30000
	K8×11×10TN	39241/8	1.7	8	11	10	3830	3950	30000
	K8×11×13TN	49241/8	1.8	8	11	13	5000	5700	30000
	K8×12×10TN	29242/8	1.3	8	12	10	4900	4600	30000
9	K9×12×10TN	39241/9	1.5	9	12	10	4200	4700	30000
	K9×12×13TN	19241/9	1.9	9	12	13	5500	6700	30000
10	K10×13×10TN	39241/10	1.6	10	13	10	4500	5250	27000
	K10×13×13TN	39241/10	2.1	10	13	13	6000	7600	27000
	K10×13×16TN		2.2	10	13	16	6300	7800	27000
	K10×14×10TN	29242/10	2.9	10	14	10	7000	7900	27000
	K10×14×13TN	3922/10	4.3	10	14	13	8000	9100	26000
	K10×16×12TN	19244/10	3.7	10	16	12	7000	9300	27000
12	K12×15×9TN		2.7	12	15	9	4120	5210	25000
	K12×15×10TN	39241/12	1.9	12	15	10	4320	5730	25000
	K12×15×13TN	49241/12	2.4	12	15	13	6000	8100	25000
	K12×16×8TN	19242/12	2.9	12	16	8	1200	4700	25000
	K12×16×10TN	29242/12	3.4	12	16	10	6000	6900	25000
	K12×16×13TN	39242/12	3.8	12	16	13	7900	9200	25000
	K12×17×13TN	59242/12	4.4	12	17	13	9300	10000	24000
	K12×N8×12TN	19244/12	5	12	18	12	9800	8000	24000
14	K12×15×20TN	K12×15×20TN	3.8	12	15	20	8200	12000	25000
	K14×N7×10		4	14	17	10	5100	6800	23000
	K14×17×17		6.8	14	17	17	9300	14000	23000
	K14×N8×10	29242/14	4.8	14	18	10	6800	8300	23000
	K14×N8×13	39242/14	6.3	14	18	13	8100	9800	23000
	K14×18×14		6.8	14	18	14	9200	12000	23000
	K14×N8×15	49242/14	7.3	14	18	15	10000	13000	23000

向心滚针和保持架组件 Radial Needle Roller and Cage Assemblies



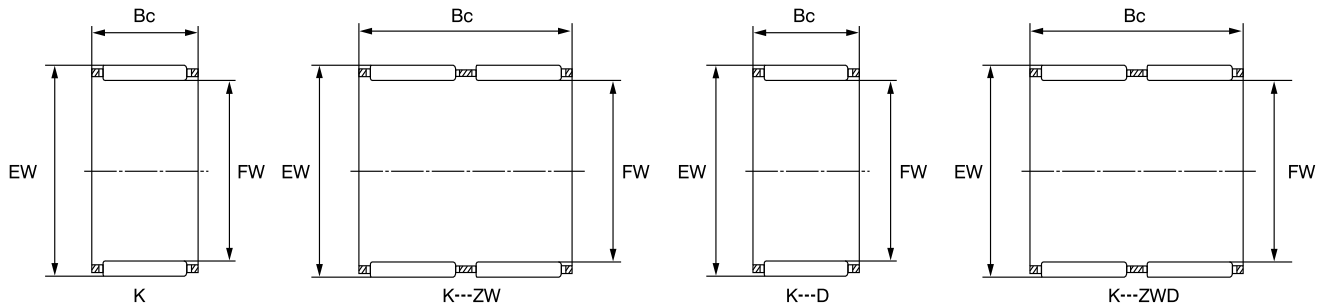
轴径 Shaft Diameter	轴承型号 Bearing Designation		重量 Mass 近似 Approx	外形尺寸 Boundary Dimensions			基本额定负荷 Basic Load Rating		极限转速 Limiting Speed
	现型号 Current Code	原型号 Original Code		Fw	Ew	Bc	动 Dynamic	静 Static	油润滑 Oil
				mm			N		rpm
14	K14x18x17	59242/14	8.1	14	18	17	10500	13900	23000
	K14x20x12	19243/14	8.6	14	20	12	9900	10500	22000
15	K15x18x14		5.3	15	18	14	7500	11000	23000
	K15x18x17		6.4	15	18	17	9600	15900	23000
	K15x19x10	29242/15	5.1	15	19	10	7200	9000	22000
	K15x19x13	39241/15	7	15	19	13	8300	9800	22000
	K15x19x17	59241/15	8.8	15	19	17	10300	15000	22000
	K15x19x24 ZW	79241/15	10.5	15	19	24	12800	20100	22000
	K15x22x13	29242/15	8.9	15	22	13	9700	11000	22000
	K15x22x12	19243/15	10	15	22	12	10000	13000	22000
	K15x21x15	39242/15	13	15	21	15	13800	16000	22000
K15x21x21		18.2	15	21	21	18000	24000	22000	
16	K16x20x10	29241/16	5.7	16	20	10	7600	9700	22000
	K16x20x13	39241/16	7.1	16	20	13	8700	11300	22000
	K16x20x17	59241/16	9.2	16	20	17	11200	16300	22000
	K16x21x10	19242/16	3.7	16	21	10	9000	12000	22000
	K16x22x12	19243/16	10.4	16	22	12	11000	12000	21000
	K16x22x13		11.9	16	22	13	12000	13400	21000
	K16x22x16		13.7	16	22	16	14300	17000	21000
	K16x22x20	49243/16	16.7	16	22	20	18000	22300	21000
	K16x23x14	19244/16	20	16	23	14	19000	21000	19000
K16x24x20	19245/16	24.9	16	24	20	21100	23000	20000	
17	K17x21x10	29241/17	5.6	17	21	10	7900	10100	21000
	K17x21x13	39241/17	7.5	17	21	13	10000	14100	21000
	K17x21x17	59241/17	9.5	17	21	17	12000	17400	21000
	K17x23x14	29243/17	11.5	17	23	14	11000	15000	21000
18	K18x22x10	29241/18	6.1	18	22	10	8200	9900	20000
	K18x22x13	39241/18	7.7	18	22	13	9000	12100	20000
	K18x22x17	59241/18	10.8	18	22	17	11900	17600	20000
	K18x24x12	19243/18	11.6	18	24	12	11200	12900	20000
	K18x24x13		12.6	18	24	13	12900	14900	20000
	K18x24x13.5		13	18	24	13.5	12900	14900	20000
	K18x24x20	49243/18	19	18	24	20	20000	26500	20000
	K18x25x14		14.9	18	25	14	16500	18800	20000
	K18x25x22		24.3	18	25	22	22900	28400	20000
	K18x26x14		19	18	26	14	18000	20000	18000
	K18x28x16	19244/18	24	18	28	16	19000	18400	19000
19	K19x23x13		8.2	19	23	13	9300	13000	20000
	K19x23x17		11.1	19	23	17	12000	18600	20000

向心滚针和保持架组件 Radial Needle Roller and Cage Assemblies



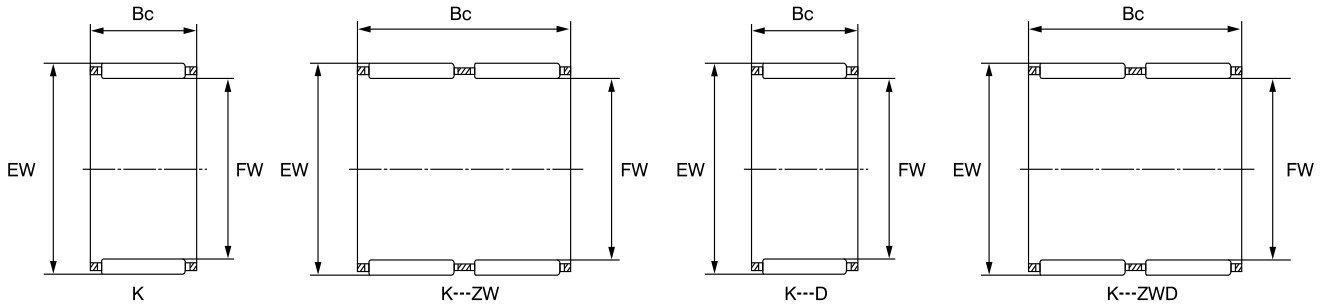
轴径 Shaft Diameter	轴承型号 Bearing Designation		重量 Mass 近似 Approx	外形尺寸 Boundary Dimensions			基本额定负荷 Basic Load Rating		极限转速 Limiting Speed
	现型号 Current Code	原型号 Original Code		Fw	Ew	Bc	动 Dynamic	静 Static	油润滑 Oil
				mm			N		rpm
20	K20×24×N0	29241/20	6.5	20	24	10	8700	12100	19000
	K20×24×12		8	20	24	12	9600	13800	19000
	K20×24×13	39241/20	8.9	20	24	13	9600	13800	19000
	K20×24×N7	59241/20	11.2	20	24	17	12400	20000	19000
	K20×26×12	19243/20	13.2	20	26	12	13100	15700	19000
	K20×26×16	K9249/20	17.5	20	26	16	18000	25000	18500
	K20×26×17	39243/20	18.2	20	26	17	18700	25500	19000
	K20×26×20	49243/20	22	20	26	20	20600	28500	19000
	K20×28×20	19245/20	26.8	20	28	20	23400	28000	18000
	K20×28×25	29245/20	36.2	20	28	25	30000	28500	18000
K20×30×30	39245/20	56	20	30	30	35000	41000	18000	
21	K21×25×13		9	21	25	13	9600	14500	19000
	K21×25×17		12	21	25	17	12800	21000	19000
22	K22×26×10	29241/22	7.1	22	26	10	8700	12900	18000
	K22×26×13	39241/22	9.4	22	26	13	10000	15400	18000
	K22×26×17	59241/22	12.1	22	26	17	13100	22100	18000
	K22×27×13	29242/22	10.8	22	27	13	14000	23000	18000
	K22×28×17	39243/22	19.7	22	28	17	19000	26500	18000
	K22×28×23	59243/22	26	22	28	23	20000	27000	19000
	K22×29×16	19244/22	22.2	22	29	16	19500	25000	17000
	K22×30×15 TN		14.4	22	30	15	19600	22900	17000
	K22×30×20	19245/22	28	22	30	20	21000	23500	18900
	K22×32×24		43.4	22	32	24	33500	39500	16000
23	K23×35×16 TN		30	23	35	16	24000	23400	15000
24	K24×28×10		8.1	24	28	10	9400	14300	17000
	K24×28×13		10.1	24	28	13	10500	17000	17000
	K24×28×17	9243/24	13.2	24	28	17	14000	24500	17000
	K24×29×13		13.5	24	29	13	13100	19100	16000
	K24×30×17		21.5	24	30	17	19000	27000	16000
	K24×30×31		39.1	24	30	31	27000	43000	16000
25	K25×29×10	29241/25	8.3	25	29	10	9700	14900	16000
	K25×29×13	39241/25	10.4	25	29	13	10800	17900	16000
	K25×29×17	59241/25	13.7	25	29	17	14500	25500	16000
	K25×30×13	29242/25	12.9	25	30	13	14100	21300	16000
	K25×30×20	59242/25	20.5	25	30	20	21100	28000	16000
	K25×30×25		21	25	30	25	21700	40400	15000
	K25×30×26	52.436	21.6	25	30	26	20100	26500	15000
	K25×31×17	39243/25	21.8	25	31	17	19000	28000	16000
	K25×31×21	39243/25	26.2	25	31	21	24100	37500	16000

向心滚针和保持架组件 Radial Needle Roller and Cage Assemblies



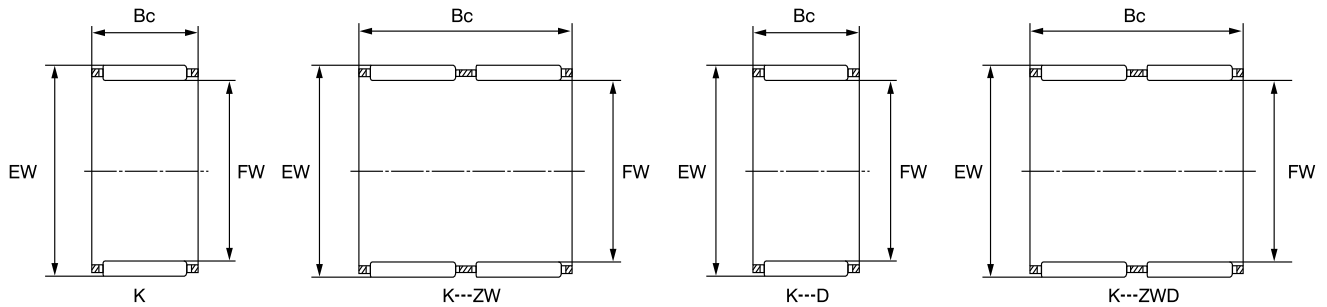
轴径 Shaft Diameter	轴承型号 Bearing Designation		重量 Mass 近似 Approx	外形尺寸 Boundary Dimensions			基本额定负荷 Basic Load Rating		极限转速 Limiting Speed
	现型号 Current Code	原型号 Original Code		Fw	Ew	Bc	动 Dynamic	静 Static	油润滑 Oil
	mm		g	mm			N		rpm
25	K25×32×16	19244/25	24.5	25	32	16	20500	27500	15000
	K25×33×20	19245/25	32	25	33	20	28000	37500	15000
	K25×33×24	29245/25	38.7	25	33	24	33900	46500	15000
	K25×34×18		32	25	34	18	48000	67000	15000
	K25×35×30	39245/25	65.5	25	35	30	46500	61500	14000
	K25×30×26 ZW		27	25	30	26	21000	35000	14000
26	K26×30×10		9	26	30	10	9500	15500	16000
	K26×30×13		11.4	26	30	13	11100	18700	16000
	K26×30×17		15	26	30	17	14700	27000	16000
	K26×31×13		9.9	26	31	13	12400	18400	15000
	K26×30×22		12.3	26	30	22	15200	28000	16000
27	K27×32×17		29	27	32	27	16000	34000	17000
28	K28×32×16.5		16	28	32	16.5	15000	32400	14000
	K28×32×17	9242/28	18.2	28	32	17	15000	32400	14000
	K28×33×13	29241/25	15.2	28	33	13	14800	23600	14000
	K28×33×17	49241/28	19.5	28	33	17	19100	33000	14000
	K28×33×27 TN	79241/28	19	28	33	27	22800	40500	14000
	K28×34×17	39242/28	24.2	28	34	17	21300	35000	14000
	K28×35×16	19243/28	26	28	35	16	21000	29000	14000
	K28×35×18		31	28	35	18	23500	33500	14000
	K28×35×20	29243/28	35	28	35	20	24000	34000	14000
	K28×35×27		47	28	35	27	34500	54500	14000
	K28×36×16		40	28	36	16	34000	47000	11000
	K28×40×18		50	28	40	18	33000	36500	12000
	K28×40×25		71	28	40	25	45000	54500	12000
30	K30×33×10			30	33	10			
	K30×34×13		14.6	30	34	13	11800	21200	13000
	K30×35×13	29241/30	16.3	30	35	13	15100	25000	13000
	K30×35×17	49241/30	21.3	30	35	17	19100	33500	13000
	K30×35×26			30	35	26			
	K30×35×27	19241/30	33.3	30	35	27	30000	58500	13000
	K30×37×16	19243/30	26.4	30	37	16	22500	33000	13000
	K30×38×25	29244/30	43	30	38	25	16000	39000	13000
	K30×39×21			30	39	21			
	K30×40×18		44	30	40	18	31500	39500	12000
	K30×40×27	92401/30T	60	30	40	27			
	K30×40×30	49243/30	78	30	40	30	48500	68500	13000
	K30×35×26		32	30	35	26	23500	43500	12000
K30×42×44.1			30	42	44.1				

向心滚针和保持架组件 Radial Needle Roller and Cage Assemblies



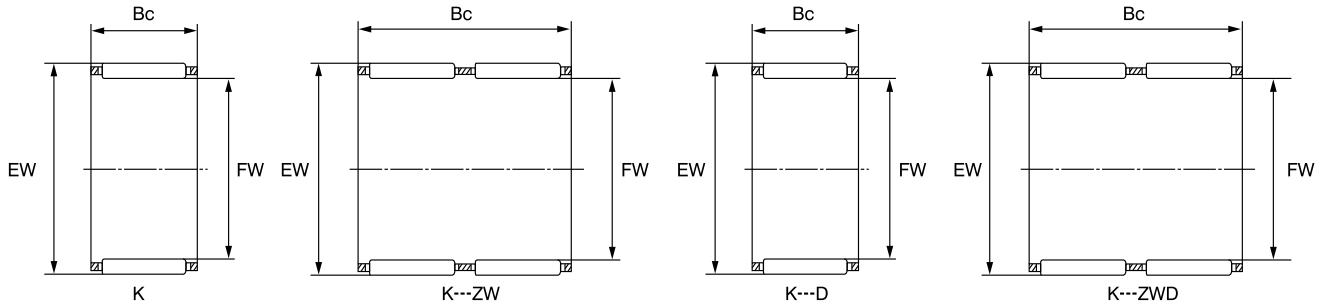
轴径 Shaft Diameter	轴承型号 Bearing Designation		重量 Mass 近似 Approx	外形尺寸 Boundary Dimensions			基本额定负荷 Basic Load Rating		极限转速 Limiting Speed
	现型号 Current Code	原型号 Original Code		Fw	Ew	Bc	动 Dynamic	静 Static	
				mm	mm	mm	N		rpm
32	K32x37x13	29241/32	18.3	32	37	13	15000	25000	12000
	K32x37x17	49241/32	22.4	32	37	17	19400	35000	12000
	K32x37x27	19241/32	36.7	32	37	27	29500	59500	12000
	K32x37x28 TN		22.3	32	37	28	23100	43000	12000
	K32x38x16		25	32	38	16	21000	34000	12000
	K32x38x20	49242/32	31	32	38	20	26000	44500	12000
	K32x38x26 TN		25.2	32	38	26	27000	46500	12000
	K32x39x16	19243/32	36.7	32	39	16	23500	35000	12000
	K32x39x18		37.2	32	39	18	26000	40500	12000
	K32x40x20	19244/32	48	32	40	20	37000	40500	12000
	K32x40x36		73	32	40	36	53500	91500	12000
	K32x46x32		119	32	46	32	65500	82500	11000
K32x40x42 TN		771	32	40	42	49500	83500	12000	
35	K35x40x13	29241/35	188	35	40	13	15800	27500	11000
	K35x40x17	49241/35	25.3	35	40	17	20300	38000	11000
	K35x40x25	29244/35	31	35	40	25	29000	59500	11000
	K35x40x27 TN	19241/35	23.4	35	40	27	24500	48000	11000
	K35x40x27	79241/35	28	35	40	27	27800	62100	11000
	K35x40x30	39244/35	43	35	40	30	25000	49500	11000
	K35x42x16	19243/35	34	35	42	16	23900	37000	11000
	K35x42x18		39.2	35	42	18	27000	42500	11000
	K35x42x30	49243/35	62.4	35	42	30	38500	67500	11000
	K35x43x18		38	35	43	18	28000	41500	11000
	K35x45x20		55.5	35	45	20	36500	49500	10000
	K35x45x30	29243/35	80	35	45	30	52500	78500	10000
	K35x45x49		120	35	45	49	81500	13400	10000
	K35x40x30 ZW		48	35	40	30	31500	65500	11000
	K35x42x20 ZW	29243/35	41	35	42	20	29500	48500	11000
36	K36x41x30		52	36	41	30	23000	43000	11000
	K36x42x16		50	36	42	16	24000	42000	11000
37	K37x42x17		25.8	37	42	17	21900	42500	10000
	K37x42x27		40.7	37	42	27	31500	67500	10000
	K37x45x26		60.5	37	45	26	43500	73500	10000
38	K38x43x17	49241/38	26.9	38	43	17	20000	38000	10000
	K38x43x27	49241/38	43.2	38	43	27	31000	67500	10000
	K38x46x20	19244/38	46	38	46	20	35000	56500	10000
	K38x46x32		72.7	38	46	32	54500	98500	10000
39	K39x44x24		38	39	44	24	28000	58500	10000
	K39x44x26 ZW		29.5	39	44	26	27000	55500	10000

向心滚针和保持架组件 Radial Needle Roller and Cage Assemblies



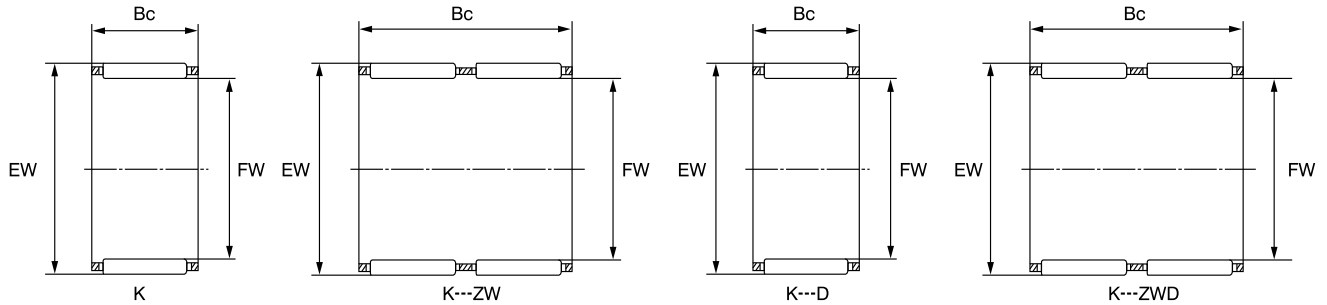
轴径 Shaft Diameter	轴承型号 Bearing Designation		重量 Mass 近似 Approx	外形尺寸 Boundary Dimensions			基本额定负荷 Basic Load Rating		极限转速 Limiting Speed
	现型号 Current Code	原型号 Original Code		Fw	Ew	Bc	动 Dynamic	静 Static	油润滑 Oil
				mm			N		rpm
40	K40×44×13		20	40	44	13	13500	28000	10000
	K40×45×13	29241/40	21.5	40	45	13	17100	32000	10000
	K40×45×17	49241/40	27.4	40	45	17	20900	41000	10000
	K40×45×21		36.5	40	45	21	24400	49500	10000
	K40×45×27	19241/40	46	40	45	27	32500	72500	10000
	K40×46×17	39242/40	30	40	46	17	24500	44500	9000
	K40×47×18		45.2	40	47	18	29000	49500	9000
	K40×47×20	29243/40	42	40	47	20	32000	56500	9000
	K40×48×20	19244/40	57.7	40	48	20	35500	58500	9000
K40×45×30 ZW		48	40	45	30	26000	53500	9000	
42	K42×47×13	29241/42	22.5	42	47	13	17300	33000	9000
	K42×47×17	49241/42	31.1	42	47	17	21100	42500	9000
	K42×47×25 TN		25.4	42	47	25	27000	57500	9000
	K42×47×27	79241/42	46.6	42	47	27	33000	74500	9000
	K42×48×35	79242/42	60	42	48	35	35000	76000	9000
	K42×50×18		53	42	50	18	31000	49500	9000
	K42×50×20	19244/42	54	42	50	20	34500	56500	9000
	K42×47×30 ZW		54	42	47	30	31000	75500	9000
43	K43×48×17		29.3	43	48	17	21000	42500	9000
	K43×48×27		45.7	43	48	27	33000	74500	9000
	K43×50×18	9249/43	48.5	43	50	18	30500	53500	8000
45	K45×49×19		27	45	49	19	17500	40000	8000
	K45×50×17	49241/45	25.5	45	50	17	22000	45000	8000
	K45×50×27	19241/45	50	45	50	27	34000	79500	8000
	K45×50×32 TN		45	45	50	32	38000	90500	8000
	K45×52×18		51	45	52	18	31000	56500	8000
	K45×52×21 TN		32.9	45	52	21	39500	57500	8000
	K45×53×20	19244/45	62.2	45	53	20	38500	66500	8000
	K45×53×21		65	45	53	21	38000	66500	8000
	K45×53×22		68.4	45	53	22	42000	66500	8000
	K45×53×28		78	45	53	28	51500	97500	8000
	K45×59×18 TN		60.5	45	59	18	43500	53500	7000
	K45×59×32		145.5	45	59	32	72500	101500	7000
	K45×59×36		195	45	59	36	75500	108500	7000
K45×51×36 ZW		85	45	51	36	44500	98500	7000	
47	K47×52×17		32	47	52	17	22800	48500	8000
	K47×52×27		50.7	47	52	27	34500	82500	8000
	K47×53×25		53	47	53	25	38000	81500	8000
	K47×55×28		62.4	47	55	28	52500	99500	7500

向心滚针和保持架组件 Radial Needle Roller and Cage Assemblies



轴径 Shaft Diameter	轴承型号 Bearing Designation		重量 Mass 近似 Approx	外形尺寸 Boundary Dimensions			基本额定负荷 Basic Load Rating		极限转速 Limiting Speed
	现型号 Current Code	原型号 Original Code		Fw	Ew	Bc	动 Dynamic	静 Static	
				mm	mm	mm	N		油润 滑 Oil
mm			g	mm			N		rpm
48	K48×54×19	39242/48	44	48	54	19	30000	60500	7500
	K48×54×25	59242/48	55	48	54	25	31000	91000	7500
50	K50×55×13.5		31	50	55	13.5	17500	36000	7500
	K50×55×17	49241/50	35	50	55	17	21400	46500	7500
	K50×55×20	59241/50	39.4	50	55	20	26000	59500	7500
	K50×55×30	9243/50	59.4	50	55	30	38500	96500	7500
	K50×57×18		53.4	50	57	18	33000	62500	7000
	K50×58×20	19244/50	64.9	50	58	20	35000	61500	7000
	K50×58×25	29244/50	81	50	58	25	43500	80500	7000
52	K52×57×12		24	52	57	12	17500	36000	7000
55	K55×60×20		43.4	55	60	20	28000	65500	6500
	K55×60×27		60.5	55	60	27	37500	96500	6500
	K55×60×30		68.6	55	60	30	40500	10300	6500
	K55×61×20		56	55	61	20	41000	11000	6500
	K55×62×18		58.4	55	62	18	35000	69500	6500
	K55×63×15		53	55	63	15	245000	40500	6500
	K55×63×20	19243/55	73.3	55	63	20	39500	73500	6500
	K55×63×25	29243/55	88	55	63	25	49500	99500	6500
	K55×63×32		117	55	63	32	61500	129500	6500
	K55×60×40 ZW		96.5	55	60	40	48000	132000	6500
56	K56×61×20		45	56	61	20	27000	64500	6500
58	K58×63×17		42	58	63	17	21500	63500	6000
	K58×64×19		53	58	64	19	24500	77500	6000
	K58×65×18		52	58	65	18	34500	69500	6000
	K58×65×38 ZW		106	58	65	38	48500	106500	6000
60	K60×65×20	49241/60	50.5	60	65	20	29000	71500	6000
	K60×65×30	69241/60	71.2	60	65	30	42000	115500	6000
	K60×68×20	19243/60	79	60	68	20	43000	84500	5500
	K60×68×23		94	60	68	23	49000	100500	5500
	K60×68×25	29243/60	97	60	68	25	52500	110500	5500
	K60×68×27		98	60	68	27	59000	120500	6000
	K60×75×42		240	60	75	42	11300	19200	5500
	K60×66×33 ZW		104	60	66	33	45500	111500	6000
	K60×66×40 ZW		116	60	66	40	57500	150500	5500
	K60×68×30 ZW		136	60	68	30	44000	87500	5500
	K60×68×34 ZW		140	60	68	34	47500	95500	5500
62	K62×70×40 ZW		147.5	62	70	40	65500	145500	5500
63	K63×70×21		75	63	70	21	45000	100500	5500
64	K47×70×16		53	64	70	16	27500	59500	5500

向心滚针和保持架组件 Radial Needle Roller and Cage Assemblies



轴径 Shaft Diameter	轴承型号 Bearing Designation		重量 Mass 近似 Approx	外形尺寸 Boundary Dimensions			基本额定负荷 Basic Load Rating		极限转速 Limiting Speed
	现型号 Current Code	原型号 Original Code		Fw	Ew	Bc	动 Dynamic	静 Static	油润滑 Oil
	mm		g	mm			N		rpm
65	K65×70×20	49241/65	49	65	70	20	30000	76500	5500
	K65×70×30		83	65	70	30	43500	93500	5500
	K65×73×23		100	65	73	23	45500	93500	5000
	K65×73×30	39243/65	126	65	73	30	56500	122500	5000
68	K68×74×20	49241/68	65	68	74	20	35000	83500	5000
	K68×74×30	69241/68	97	68	74	30	46000	117500	5000
	K68×74×35 ZW	79241/68	116	68	74	35	48000	124500	5000
	K68×75×20		120	68	75	32	53500	127500	4500
70	K70×76×20	49241/70	70	70	76	20	35500	85500	4500
	K70×76×30	69241/70	100	70	76	30	51500	138500	4500
	K70×78×25	29243/70	115	70	78	25	51500	111500	4500
	K70×78×30	39243/70	136	70	78	30	59500	134500	4500
	K70×80×30	29244/70	150	70	80	30	72500	147500	4500
	K70×78×46 ZW		230	70	78	46	77500	18800	4500
72	K72×80×20	19243/72	94	72	80	20	41000	84500	4500
73	K73×79×20		69	73	79	20	36500	99500	4500
75	K75×81×20	49241/75	72	75	81	20	37000	93500	4500
	K75×81×30	69241/75	106	75	81	30	51500	142000	4500
	K75×83×23		113	75	83	23	49500	108000	4000
	K75×83×30	39243/75	147	75	83	30	91500	142000	4000
	K75×83×35 ZW	49243/75	165	75	83	35	62500	146500	4000
	K75×83×40 ZW	59243/75	190	75	83	40	72500	176500	4000
80	K80×86×20	49241/80	76	80	86	20	38000	97500	4000
	K80×86×30	69241/80	114	80	86	30	55500	158500	4000
	K80×88×30	39243/80	141	80	88	30	71500	178500	4000
	K80×88×40 ZW	59243/80	204	80	88	40	75500	191500	4000
	K80×88×46 ZW	69243/80	235	80	88	46	87500	23000	4000
85	K85×92×20	29241/85	96	85	92	20	44000	107500	3500
90	K90×97×20	29241/90	103	90	97	20	44500	112500	3000
	K90×98×27		150	90	98	27	60500	149500	3000
	K90×98×30	39242/90	172	90	98	30	67500	171500	3000
95	K95×102×20	29241/95	110	95	102	20	45500	122500	2900
	K95×103×30 ZW	39242/95	177	95	103	30	68500	179500	2900
	K95×103×40 ZW	59242/95	250	95	103	40	82500	227500	2900
100	K100×107×21		120	100	107	21	47500	126500	2700
	K100×108×27		176	100	108	27	56500	142500	2700
	K100×108×30	39242/100	190	100	108	30	70500	187500	2700
105	K105×112×21		123	105	112	21	47000	126500	2500
	K105×113×30	39242/105	198	105	113	30	71500	196500	2500

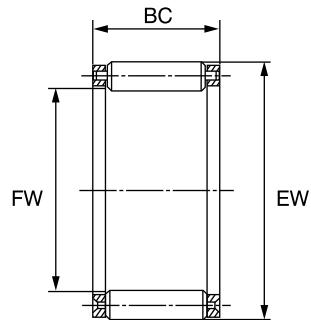
无套圈长圆柱滚子和保持架组件 No Collar Slab Roller and Cage Assemblies

⊙该种轴承适用于径向尺寸特别受限制的部件中，该种轴承因无套圈，轴颈表面和外壳内孔表面直接作为滚动面，要求与其相配的轴颈表面的外壳内孔表面的硬度，表面粗糙度及尺寸精度应与轴承套圈相当，还有一种改枢轴式圆柱体为平头圆柱体，并采用“M”型保持架的结构型式，这时速度性能有较大改善。

⊙This kind of bearing is suitable for the parts in which the radial size is specially limited. Since the bearing has not collar, the surface of shaft journal and the surface of housing inner bore are directly acted as rolling face. It is requested that the hardness, surface roughness and size accuracy of shaft journal surface and housing inner bore surface fitted with it be adaptable to the collar of bearing. Another pivot cylinder is modified as flat cylinder with M-type cage structure. Its speed performance is greatly improved.



无套长圆柱滚子和保持架组件 No Collar Slab Roller and Cage Assemblies



KNL 00×00×00型64000 (640000型)

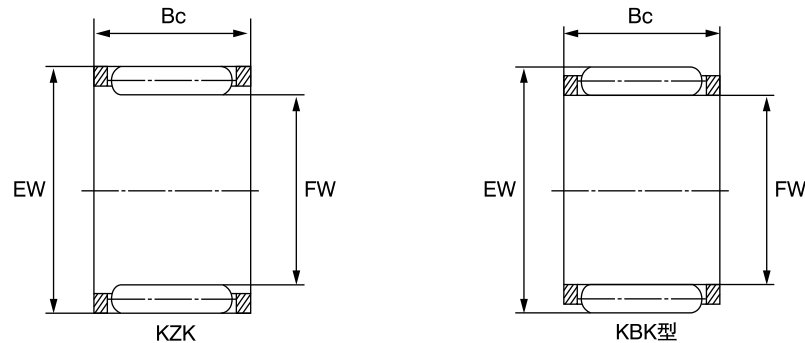
轴径 Shaft Diameter	轴承型号 Bearing Designation		重量 Mass 近似 Approx	外形尺寸 Boundary Dimensions			基本额定负荷 Basic Load Rating	
	现型号× Current Code	原型号 Original Code		Fw	Ew	Bc	动 Dynamic	静 Static
	mm			mm			N	
19.051	KNL19.051×28.588×36.75	64903	70	19.051	28.588	36.75		
19.051	KNL19.051×28.588×43.25	64904	80	19.051	28.588	43.25		
20	KNL20×30.2×18	64704	40	20	30.2	18		
20.612	KNL20.612×33.325×35	864904	96	20.612	33.325	35		
20.638	KNL20.638×33.338×36.75	64705	92	20.638	33.338	36.75		
25	KNL25×38×24.7	64805	82	25	38	24.7		
25.4	KNL25.4×41.2×60.4	64905	265	25.4	41.2	60.4		
27.71	KNL27.71×42.825×44.1	64906	183	27.71	42.825	44.1		
28.575	KNL28.575×41.275×34.925	64806	122	28.575	41.275	34.925		
28.578	KNL28.575×41.275×40	94626	155	28.578	41.275	40		
29.975	KNL29.975×42×44.1	64706	160	29.975	42	44.1		
29.975	KNL29.975×42×31	9148/30	81	29.975	42	31		
31.75	KNL31.75×44.45×31.75	864807	115.8	31.75	44.45	31.75		
31.9	KNL31.9×41.46×32	31.9×41.46×32	95	31.9	41.46	32		
32	KNL32×50×45	30643/32	272	32	50	45		
32	KNL32×52×49	64907	329	32	52	49		
37.96	KNL37.96×53.9×36	37.96×53.9×36	208.3	37.96	53.9	36		
40	KNL40×60×30	10643/40	248	40	60	30		
52.412	KNL52.412×71.425×42.3	864911	441	52.412	71.425	42.3		
65	KNL65×89×58.9	864913	943	65	89	58.9		
74	KNL74×106×57.9	864915	1563	74	106	57.9		

连杆用滚针和保持架组件 Rod-use Needle Roller and Cage Assemblies For

- ⊙ 连杆用滚针和保持架组件主要用于发电机、压缩机和其他曲柄连杆机构。
 - ⊙ 连杆用滚针和保持架组件的代号由字母和数字两部分组成，字母KZK表示曲销用组件；KBK表示活塞销用组件。
 - ⊙ KZK曲柄销用滚针和保持架组件，采用M型保持架，性能可靠。应特殊要求，保持架表面可进行镀银、镀铜处理。
 - ⊙ KBK活塞销用滚针和保持架组件不像曲柄销那样外引，而是在活塞销上内引导，因此就可以加大滚针长度。
- ⊙ The rod-use needle roller and cage assembly is mainly used for engine, compressor and other crankguide.
- ⊙ The designation of the rod-use needle roller and cage assembly is composed of letter and number. The letter KZK represents crank pine assembly and KBK represents piston pin assembly.
- ⊙ The needle roller and cage assembly for KZK crank pin adapts M-type cage with reliable performance. It has special requirement. The surface of cage can be silver-plated or copper-coated.
- ⊙ The needle roller and cage assembly for KBK piston pin is different from KZK (external guide for crank pin). It is internally guided on the piston pin), thus increasing the length of needle.

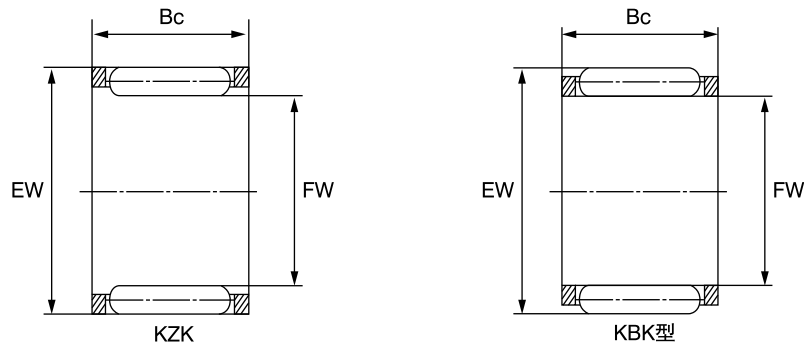


连杆用滚针和保持架组件 Rod-use Needle Roller and Cage Assemblies For



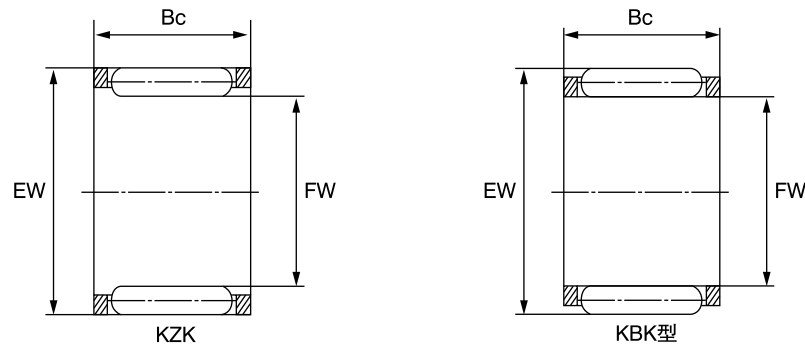
轴径 Shaft Diameter	轴承型号 Bearing Designation		重量 Mass 近似 Approx	外形尺寸 Boundary Dimensions			基本额定负荷 Basic Load Rating	
	现型号 Current Code	原型号 Original Code		Fw	Ew	Bc	动 Dynamic	静 Static
mm			g	mm			N	
8	KZK8×12×8	19242/8	1.9	8	12	8	4700	4580
10	KZK10×14×10	29242/10	3.3	10	14	10	5000	5160
12	KZK12×15×13	49241/12	3.6	12	15	13	5300	7400
	KZK12×16×10	29242/12	3.5	12	16	10	6100	6900
	KZK12×16×11		3.7	12	16	11	6200	7100
	KZK12×17×10	19243/12	5	12	17	10	7020	7020
	KZK12×18×10	19242/12	7.8	12	18	10	7400	7200
14	KZK14×18×10	29241/14	4	14	18	10	7100	8500
	KZK14×19×10	19242/14	5.5	14	19	10	7300	7600
	KZK14×19×10		7.5	14	19	12	7460	7950
	KZK14.4×20.4×10		6.5	14.4	20.4	10	8100	7800
15	KZK15×19×9	29241/15	5	15	19	9	6800	7100
	KZK15×19×10	19242/15	6	15	19	10	7200	8400
	KZK15×20×10		7.5	15	20	10	7800	9100
	KZK15×21×10		8.5	15	21	10	8400	10500
	KZK15×21×11		9.5	15	21	11	8500	10700
	KZK15.2×22.2×12		11.5	15.2	22.2	12	8600	11100
16	KZK16×20×10	29241/16	5.8	16	20	10	8200	9200
	KZK16×20×24	79241/16	6.3	16	20	24	8700	9400
	KZK16×21×10	19242/16	5.8	16	21	10	8800	9800
	KZK16×22×12	19243/16	9.5	16	22	12	11000	11900
	KZK16×22×14		11	16	22	14	13200	13930
17	KZK17×21×10	29241/17	6.7	17	21	10	7600	9000
	KZK17×23×11		9.5	17	23	11	8100	11300
18	KZK18×22×10	29241/18	6.9	18	22	10	7600	9800
	KZK18×22×24		7.2	18	22	24	10100	17200
	KZK18×24×11.6	19243/18	10	18	24	11.6	11600	13100
	KZK18×24×12	19243/18	10	18	24	12	11600	13100
	KZK18×24×13.3		12.4	18	24	13.3	9000	10700
	KZK18×24×13.5		12.4	18	24	13.5	9000	10700
19	KZK18×24×15	29243/18	14	18	24	15	13200	15500
	KZK19×25×16	19244/19K	13.9	19	25	16	12100	15500
20	KZK19×28×14		20	19	28	14	12100	15000
	KZK20×25×16		12	20	25	16	9900	12300
	KZK20×26×12	19243/20	9.6	20	26	12	10100	12500
	KZK20×26×14		12	20	26	14	12600	16700
22	KZK20×26×17	9246/20	17	20	26	17	12700	17600
	KZK22×28×13		15	22	28	13	11900	16500
	KZK22×28×14		16	22	28	14	12600	16800

连杆用滚针和保持架组件



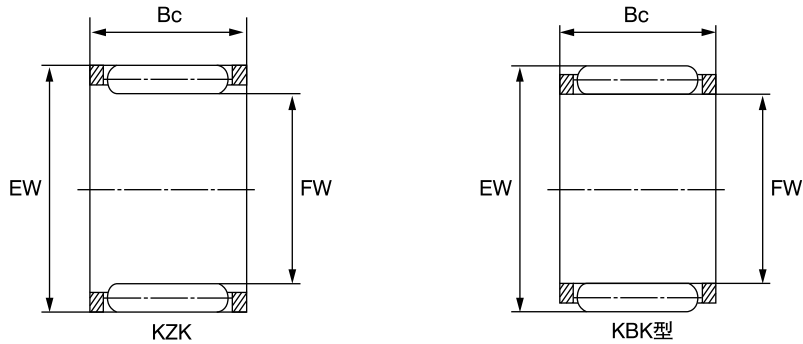
轴径 Shaft Diameter	轴承型号 Bearing Designation		重量 Mass 近似 Approx	外形尺寸 Boundary Dimensions			基本额定负荷 Basic Load Rating	
	现型号 Current Code	原型号 Original Code		Fw	Ew	Bc	动 Dynamic	静 Static
	mm			g	mm			N
22	KZK22×28×15	29242/22	16.7	22	28	15	13500	18500
	KZK22×28×16	29243/22K	18	22	28	16	14400	20100
	KZK22×29×15		15.2	22	29	15	17800	21800
	KZK22×29×16	19244/32	19	22	29	16	17800	21800
	KZK22×30×16	SZ-432	25.7	22	30	16	18700	22300
23	KZK23×29×13		12	23	29	13	10000	11300
	KZK23×30×14		19.4	23	30	14	9350	10100
	KZK23×30×16		22	23	30	16	9780	11800
23.1	KZK23.1×28.1×14	29242/23.1	12.9	23.1	28.1	14	10600	15800
24	KZK24×30×15		17	24	30	15	11200	13700
	KZK24×30×16		18	24	30	16	11200	13700
25	KZK25×30×28	69245/25	24	25	30	28	13300	15200
	KZK25×31×12	19243/25K	16	25	31	12	8700	8800
	KZK25×31×17	39243/25	23	25	31	17	9200	9750
	KZK25×31×20	49243/25	26	25	31	20	9700	10600
	KZK25×32×16	19244/25	22.7	25	32	16	18200	23100
25.1	KZK25.1×30.1×14		14.1	25.1	30.1	14	13700	19000
26	KZK26×34×16	9248/26	25	26	34	16	11700	17500
28	KZK28×33×14		15.7	28	33	14	13200	21900
	KZK28×34×14		20	28	34	14	16500	20700
	KZK28×35×15		25	28	35	15	18000	22000
	KZK28×35×16	19243/28	27	28	35	16	18900	23000
	KZK28×36×16		29.1	28	36	16	19500	27000
	KZK28×38×13.6		40	28	38	13.6	17300	20300
30	KZK30×36×16		28.5	30	36	16	18900	22800
	KZK30×37×16	19243/30	29	30	37	16	21500	30500
	KZK30×38×16		34.4	30	38	16	22700	32600
	KZK30×38×18		38.8	30	38	18	26200	39600
32	KZK32×40×22	19244/32K	50	32	40	22	27800	39300
	KZK32×42×20		54	32	42	20	29000	41000
35	KZK35×42×20	29243/35	10	35	42	20	26000	40200
38	KZK38×46×20	19244/38	50	38	46	20	31100	43000
40	KZK40×48×17		50	40	48	17	29000	39000
	KZK40×48×20	19244/40	54	40	48	20	32500	51000

连杆用滚针和保持架组件



轴径 Shaft Diameter	轴承型号 Bearing Designation		重量 Mass 近似 Approx	外形尺寸 Boundary Dimensions			基本额定负荷 Basic Load Rating	
	现型号 Current Code	原型号 Original Code		Fw	Ew	Bc	动 Dynamic	静 Static
mm			g	mm			N	
8	KBK8×11×10	39241/8	1.85	8	11	10	3500	4000
	KBK8×12×10	29242/8	2	8	12	10	3700	4100
9	KBK9×12×11.5		2.4	9	12	11.5	4200	4800
	KBK9×12×13	49241/9	2.75	9	12	13	4600	5800
	KBK9×12×14		3.5	9	12	14	4700	5900
	KBK9×13×12	39242/9	4.1	9	13	12	5300	5700
	KBK9×13×12.5		4.9	9	13	12.5	5300	5700
	KBK9×13×13	39242/9	5.1	9	13	13	5350	5600
10	KBK10×13×8	29241/10	2	10	13	8	4000	5000
	KBK10×13×10	39241/10	2.4	10	13	10	4200	5200
	KBK10×13×14.5	59241/10	5.1	10	13	14.5	5400	6600
	KBK10×13×16		5.7	10	13	16	6800	7700
	KBK10×14×10	29242/10	3.4	10	14	10	4400	4600
	KBK10×14×11		4	10	14	11	5200	5700
	KBK10×14×12		4.5	10	14	12	5400	6000
	KBK10×14×12.5		4.85	10	14	12.5	5600	6200
	KBK10×14×13	39242/10	5.4	10	14	13	5600	6200
11	KBK11×15×17		5	11	15	17	5200	7000
12	KBK12×15×13	49241/12	4.6	12	15	13	5500	7300
	KBK12×15×14.3		5.4	12	15	14.3	5800	7700
	KBK12×15×15	59241/12	5.6	12	15	15	5900	7800
	KBK12×15×16.5		6.2	12	15	16.6	6800	9900
	KBK12×15×17	69241/12	6.3	12	15	17	7000	10000
	KBK12×15×17.5		6.5	12	15	17.5	7000	10000
	KBK12×16×13	39242/12	6.7	12	16	13	6300	7600
	KBK12×16×15	149242/12KY	7.9	12	16	15	7500	9000
	KBK12×16×15.5		8.3	12	16	15.5	7600	10000
	KBK12×16×16	59241/12	8.5	12	16	16	7800	9300
	KBK12×16×17	59242/12	9.2	12	16	17	7900	9400
	KBK12×17×14		8	12	17	14	8000	9500
	KBK12×17×14.3		8.4	12	17	14.3	8000	9500
KBK19×17×14.8		8.8	12	17	14.8	8300	9800	
13	KBK13×17×14.5		7.1	13	17	14.5	8300	10200
	KBK13×17×17.5		8.6	13	17	17.5	9500	12100
14	KBK14×18×10	29241/14	4.6	14	18	10	6260	7400
	KBK14×18×12		6.6	14	18	12	6380	7570
	KBK14×18×13	39241/14	7.6	14	18	13	7300	8700
	KBK14×18×14		6.33	14	18	14	7400	8800
	KBK14×18×14.5		8	14	18	14.5	7400	8800

连杆用滚针和保持架组件 Rod-use Needle Roller and Cage Assemblies For



轴径 Shaft Diameter	轴承型号 Bearing Designation		重量 Mass 近似 Approx	外形尺寸 Boundary Dimensions			基本额定负荷 Basic Load Rating	
	现型号 Current Code	原型号 Original Code		Fw	Ew	Bc	动 Dynamic	静 Static
				mm			N	
mm			g	mm			N	
14	KBK14×18×15	49241/14	8.3	14	18	15	7600	8990
	KBK14×18×16.5		9.6	14	18	16.5	8800	9700
	KBK14×18×17	59241/14	10.1	14	18	17	8900	9800
	KBK14×18×20	69241/14	12	14	18	20	9000	10100
	KBK14×18×21		13	14	18	21	10500	12400
	KBK14×19×22		14	14	18	22	11100	13100
	KBK14×18×17	49242/14K	10.3	14	19	17	11100	13100
15	KBK15×19×10	29241/15Y	5	15	19	10	6500	8600
	KBK15×19×18		11	15	19	18	9900	11300
	KBK15×19×19		12	15	19	19	10100	12800
	KBK15×19×20	69241/15	12.9	15	19	20	11300	15500
	KBK15×20×24		18.6	15	20	24	14100	20000
16	KBK16×20×19	SZ-433	12	16	20	19	11700	16800
	KBK16×20×20	69241/16Y	13.4	16	20	20	12900	17600
	KBK16×20×21		14	16	20	21	12900	17600
	KBK16×20×22		15	16	20	22	13000	18700
	KBK16×21×19	59242/16	16	16	21	19	13000	18700
17.5	KBK17.5×22×16		9.3	17.5	22	16	11000	16300
18	KBK18×22×22		16.9	18	22	22	11500	17700
	KBK18×22×23.5		18	18	22	23.5	11900	19000
	KBK18×22×24		18.4	18	22	24	12000	20000
	KBK18×22×25		19.1	18	22	25	12700	20100
	KBK18×23×21		18	18	23	21	9900	10100
	KBK18×23×23	69242/18	20	18	23	23	10500	12000
	KBK18×24×20	49243/18	20	18	24	20	20000	25000
20	KBK20×24×30		22.1	20	24	30	14900	25500
	KBK20×25×22		19.5	20	25	22	15200	22300
	KBK20×25×25		23	20	25	25	17100	24000

实体套圈滚针轴承 Solid Collar Needle Roller Bearing

⊙实体套圈滚针轴承结构紧凑，径向尺寸小，负荷容量大，适用于径向轮廓尺寸受到限制的部件中，在轴或外壳有摆动运动的情况下也广泛采用。滚针轴承一般只能承受径向负荷，不能承受轴向负荷。当有轴向负荷时，应和其他轴承组合使用，它不限制轴或外壳的轴向位移。滚针轴承的极限转速较低，在主机转速较高的情况下，应尽量选用带保持架的滚针轴承，和其他类型的滚动轴承相比，在径向尺寸相同的情况下，滚针轴承负荷容量最大，它的刚性较高，但摩擦力矩也较大。

⊙此类轴承有多种结构及尺寸系列，要求轴颈或外壳滚动面表面硬度、加工精度和表面粗糙度应与轴承套圈相同。所组装G2级滚针，分组批直径变动量在 $2\mu\text{m}$ 以内装满滚针轴承外，均采用高刚性保持架，能够正确地引导滚针平行轴线。

⊙The solid collar needle roller bearing has compact structure, small radial size and large load carrying capacity. It is suitable for the parts of which the radial overall size is limited. It is also wide applied to the situation where the shaft or housing has the swinging motion. In general, the needle roller bearing only withstands the radial load, not the axial load. When the shaft has axial load, it can be used in combination with other bearings. However, it does not limit the axial shift of shaft or housing. The limiting rotational speed of needle roller bearing is lower. In high rotational speed of main machine, the needle roller bearing with cage shall be chosen as far as possible. In comparison with other types of needle roller bearings, under the situation of same radial size, the needle roller bearing has the large load carrying capacity and high rigidity but has high friction torque.

⊙This kind of bearing has many series with different structure and size. It is requested that the hardness, processing accuracy and surface roughness of shaft journal surface and rolling surface of outer housing be same as those of the collar of bearing. As for the needle roller with G2 class, the diameter varies within $2\mu\text{m}$ in group. Except the full complement needle roller bearings, they have the rigid cages, which can correctly guide the parallel axis line of needle roller.



无内圈滚针轴承RNA、NK型
Model RNA, NK Needle Roller Bearings Without Inner Ring
有内圈滚针轴承RNA、NKI型
Model NA, NKI Needle Roller Bearings With Inner Ring

⊙无内圈滚针轴承RNA、NK型

⊙无内圈滚针轴承适用于径向尺寸受限制的部件中，由于无内圈，与其配合的轴颈表面直接作为滚动面。要求其表面硬度不低于HRC60，表面粗糙度Ra值不大于0.63 μ m，此种轴承不限制轴或外壳的轴向位移，极限转速较高。

⊙有内圈滚针轴承NA、NKI型

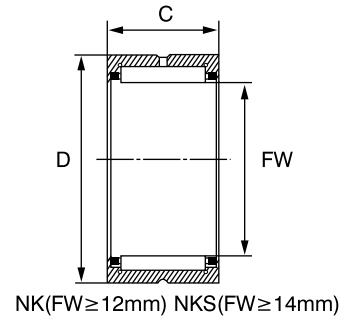
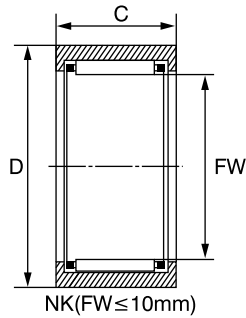
⊙该种轴承由于内圈无挡边，因此可分别安装内圈、外圈、全套滚针和保持架，不限制轴或外壳的轴向位移。由于用保持架将滚针隔开，减少了摩擦，所以可用在转速较高的部件中。

⊙The needle roller bearing without inner ring is suitable for the parts of which the radial size is limited. Because of no inner ring, the surface of shaft journal fitted with it is acted directly as rolling surface. It is requested that the surface hardness be no less than HRC60, surface roughness, no more than 0.63 μ m. This kind of bearing does not limit the axial shift of shaft and housing and has high limiting rotational speed.

⊙The inner ring has no shoulder in this bearing. For this purpose, the inner ring, outer ring, complete set of needles and cage can be mounted respectively. This bearing does not limit the axial shift of shaft and outer housing. Since the cage separates the needles so as to reduce friction. It can be used for the parts with high rotational speed.

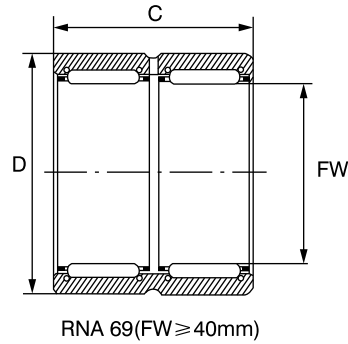
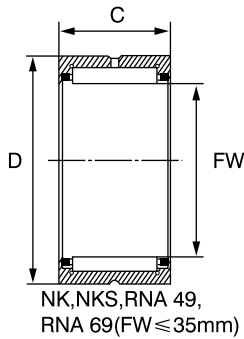


无内圈滚针轴承 Needle Roller Bearings Without Inner Ring



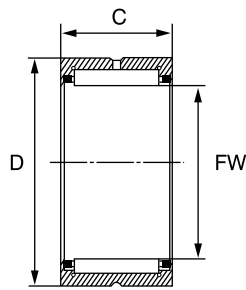
轴径 Shaft Diameter	轴承型号 Bearing Designation		重量 Mass 近似 Approx	外形尺寸 Boundary Dimensions			基本额定负荷 Basic Load Rating		极限转速 Limiting Speed
	现型号 Current Code	原型号 Original Code		Fw	D	C	动 Dynamic	静 Static	油润滑 Oil
				mm			N		rpm
5	NK5/10TN		2.9	5	10	10	2100	1400	36780
	NK05/08			5	10	8			
	NK05/10TN-OH			5	10	12	2350	1920	39000
	NK05/12TN		3.7	5	10	12	3000	2650	39000
6	NK06/10			6	12	10	2600	2200	37000
	NK06/10TN			6	12	10	2600	2200	37000
	NK06/12TN		5.7	6	12	12	3350	3150	37000
	RNA6X13X8TN			6	13	8			
7	NK07/10		6.9	7	14	10	2850	2650	34000
	NK07/12		8.2	7	14	12	3650	3600	34000
7.8	RNA7.8169			7.8	16	9			
8	NK8L12TN		8.3	8	15	12	3950	4100	32000
	NK08/12		8.7	8	15	12	3950	4100	32000
	NK08/16		12	8	15	16	5100	5800	32000
	NK08/16TN			8	15	16	5100	5800	32000
	RNA8X19X9			8	19	9			
	RN8X14X8			8	14	8			
	RNA496			8	15	10			
RNA8X15X10TN			8	15	10				
9	NK09/12		10.3	9	16	12			
10	NK10/12TN	462409K	10	10	17	12	4750	5300	29000
		5624097	16.6	10	17	15	4860	7100	29000
	NK10/10			10	17	10			
	NK10/12			10	17	12			
	NK10/16			10	17	16	6200	7800	29000
	NK10/16TN			10	17	16	6200	7800	29000
NKS10			10	19	13	5800	6000	29000	
12	NK12/12TN	644097	11.8	12	19	12	6000	6400	27000
		5624098	15.4	12	19	15	6400	7100	27000
	NK12/16		16.8	12	19	16	8200	9800	27000
14	NK14/16	4624900K	20.8	14	22	16	10100	11500	25000
	NKS14		27	14	25	16	1400	13800	24000
	RNA4900	4624900	24.4	14	22	13	8500	9000	25000
	RNA6900	6634900	29.1	14	22	22	12800	15600	25000
	NK14/12			14	22	12			
	NK14/20			14	22	20	12800	15600	25000
15	NK15/12	644800K	18.5	15	23	12	8600	11000	21000
	RNA152815		31.7	15	28	15	13600	17200	24000
		7948/15	16.1	15	22	12	8200	9800	8500

无内圈滚针轴承

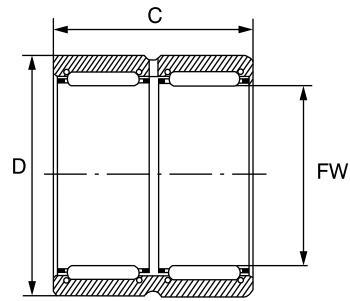


轴径 Shaft Diameter	轴承型号 Bearing Designation		重量 Mass 近似 Approx	外形尺寸 Boundary Dimensions			基本额定负荷 Basic Load Rating		极限转速 Limiting Speed
	现型号 Current Code	原型号 Original Code		Fw	D	C	动 Dynamic	静 Static	
				mm			N		
mm			g	mm			N		rpm
15		644302	18.2	15	25	12	10600	13500	17000
	NK15/16		21.8	15	23	16	10700	12700	24000
	NK15/20		26.7	15	23	20	13600	17200	24000
	NK152312			15	23	12			
	NK152512				15	25	12		
16	NK16/16		20.8	16	24	16	11300	13900	23000
	NK16/20	624701	23.9	16	24	20	10400	16800	23000
	RNA4901	4624901	16.6	16	24	13	6400	8900	15500
	RNA6901	6634901	28.7	16	24	22	14000	18600	15500
	NKS16		30	16	28	16	14900	15000	20000
	NK162516			16	25	16			
	NK162616			16	26	16			
17	NK17/16	644903K	21.5	17	25	16	9000	13500	14000
	NK17/20	RNA172520	30	17	25	20	15000	20000	23000
18	NK18/20		30.5	18	26	20	15500	19800	22000
	NK18/16			18	26	16	12500	16200	22000
19	NK19/16			19	27	16	13000	17000	22000
20	NK20/16	644802	25.7	20	28	16	10500	13800	21000
	NK20/20	624802	29.3	20	28	20	11500	21800	21000
	NK202616		20.8	20	26	16	9600	10800	21000
	NK202620			20	26	20	9600	10800	21000
	NKS20		46.8	20	32	20	20000	23000	20000
	NK203312SX		29.1	20	33	12	13000	18000	11000
		6624101	24.3	20	28	25	13000	17500	11000
	RNA4902	4624902	20.5	20	28	13	11000	12900	12000
	RNA6902	6634902	35.4	20	28	23	10800	12800	12000
	NK20/16			20	32	16	13000	25000	12000
	RNA5902			20	28	18			
21	NK21/12			21	29	12			
	NK21/16			21	29	16	13500	18700	21000
	NK21/20			21	29	20			
22	NK22/16	NK223016	29.2	22	30	16	13500	18000	11500
		NK223516	34.6	22	35	16	18600	20800	11500
	NKS22		60.2	22	35	20	21500	25000	17000
	RNA4903	4644903	20.7	22	30	13	12000	16800	16300
	RNA5903			22	30	18			
	RNA6903	6634903	39.8	22	30	23	14000	19900	16300
		624703	53	22	35	25	24500	28000	14100
		634704L	42.5	22	30	30	17700	27000	16500

无内圈滚针轴承



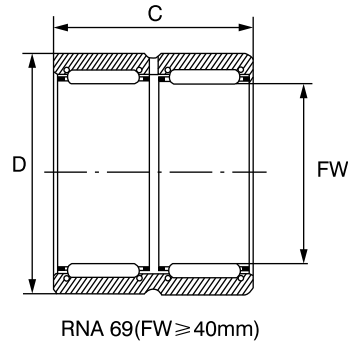
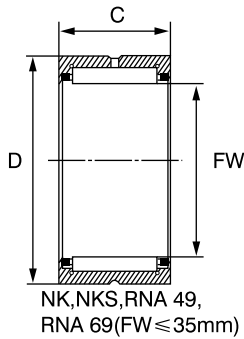
NK, NKS, RNA 49,
RNA 69 (FW ≤ 35mm)



RNA 69 (FW ≥ 40mm)

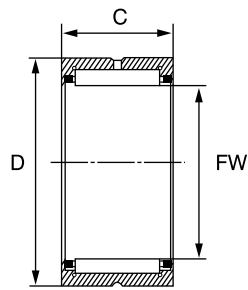
轴径 Shaft Diameter	轴承型号 Bearing Designation		重量 Mass 近似 Approx	外形尺寸 Boundary Dimensions			基本额定负荷 Basic Load Rating		极限转速 Limiting Speed
	现型号 Current Code	原型号 Original Code		Fw	D	C	动 Dynamic	静 Static	油润滑 Oil
	mm		g	mm			N		rpm
22		644704	27.4	22	28	16	10500	15000	16500
		NK223516	49.4	22	35	16	18600	20800	16500
		NK22/20		22	30	20			
23		634704KA	37.5	23	30	30	18600	29000	15000
24	NK24/16			24	32	16			
	NK24 33.5 7.5			24	33.5	7.5			
25	NK25/16	624904	30	25	33	16	12900	20400	15000
	NK25/20	644804	38.4	25	33	20	16800	28500	15000
	RNA4904	4644904	50.8	25	37	17	11900	16500	15000
	RNA6904	6634904	97.7	25	37	30	26000	43000	15000
	NKS25		65	25	38	20	25800	31000	16300
		624704	100.1	25	35	25	14900	22400	16500
	NK25/30	644804K	63	25	33	30	18800	30500	165000
		NK253326		25	33	26			
		NK253422		25	34	22			
		NK253425		25	34	25			
		NK253820		25	38	20			
	NK253825		25	38	25				
	NK254517.5		25	45	17.5				
26	NK26/16		30	26	34	16	15000	23000	16300
	NK26/20		40	26	34	20	17000	30000	16300
27	NK27×40×25			27	40	25			
28	RNA283833		99.8	28	38	33	33000	57000	12000
		F3833	99.8	28	38	33	33000	57000	12000
	NKS28		80	28	42	20	25900	33500	15000
	NK28/20		53	28	37	20	22000	34000	16500
	NK28/30			28	37	30	33000	57000	12000
	RNA69/22	63549/22		28	39	30			
29	NK29/20			29	38	20	21900	34000	15000
	NK29/30			29	38	30	32500	57000	15000
30	NK30/20	644805	57.9	30	40	20	20600	32000	15000
	NK30/30		95	30	40	30	31500	50000	15000
	RNA4905	4624905	57	30	42	17	23600	31500	14000
	RNA6905	6634905	106.5	30	42	30	39000	59000	14000
		624905	68	30	42	20	20000	32000	15000
	NK304013			30	40	13			
	NK304430			30	44	30			
	NK304630			30	46	30			
	NK305017			30	50	17			

无内圈滚针轴承

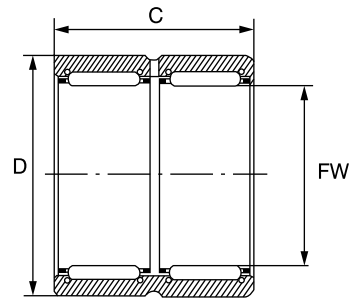


轴径 Shaft Diameter	轴承型号 Bearing Designation		重量 Mass 近似 Approx	外形尺寸 Boundary Dimensions			基本额定负荷 Basic Load Rating		极限转速 Limiting Speed
	现型号 Current Code	原型号 Original Code		Fw	D	C	动 Dynamic	静 Static	油润滑 Oil
				mm			N		rpm
30	NKS30			30	45	17	32000	40000	14000
	RNA305225			30	52	25			
30.5	NK30.5 50 16			30.5	50	16			
	NK30.5 50 17			30.5	50	17			
31	NK31.75×44.45×31.75			31.75	44.45	22			
32	NK32/20	624705	75.4	32	42	20	22600	33500	15000
	RNA49/28	46449/28K	80	32	45	17	17400	30000	13000
	NAS32		100	32	47	22	31000	40000	13000
	RNA69/28		125	32	45	30	39500	61300	13000
		644906	42	32	38	11	10750	30500	12000
		644706	193	32	50	35	40500	63000	12000
	NKS32		100	32	47	22	31000	40000	12000
	NK32/30			32	42	30	33500	60000	12000
	RNA324527			32	45	27			
34	NK345034			34	50	34			
	NK345035			34	50	35			
35	NK35/20	644806	70	35	45	20	13800	26900	12000
	RNA4906	4624906	62.8	35	47	17	17000	30500	12000
	RNA6906	6634906	116	35	47	30	35000	67000	12000
		644907	161	35	51		43500	71000	12000
	NK354512			35	45	12			
	NK354830			35	48	30			
	NK355034			35	50	34			
	NK355236			35	52	36			
	RNA354527			35	45	27			
	RNA5906		108	35	47	23			
36	RNA355730			35	57	30			
	RNA355734			35	57	34			
36	NK365225			36	52	25			
37		624706	154	37	52	22	28500	45500	9000
	NK37/20			37	47	20	24900	43500	12000
	NK37/30			37	47	30	37000	73000	12000
38	NK38/20			38	48	20	25500	45000	12000
	NK38/30			38	48	30	38000	76000	12000
40	NK40/20		78.9	40	50	20	26500	43000	11000
	NK40/30		120	40	50	30	37500	79000	11000
	NK404815			40	48	15			
	NK405530			40	55	30			
	NKS40			40	55	22	38000	54000	11000

无内圈滚针轴承



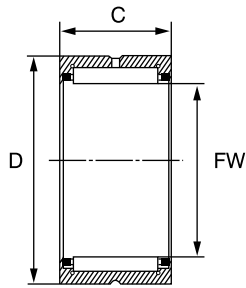
NK,NKS, RNA 49,
RNA 69(FW ≤ 35mm)



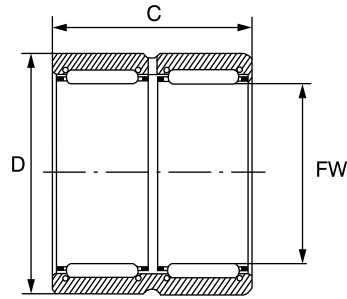
RNA 69(FW ≥ 40mm)

轴径 Shaft Diameter	轴承型号 Bearing Designation		重量 Mass 近似 Approx	外形尺寸 Boundary Dimensions			基本额定负荷 Basic Load Rating		极限转速 Limiting Speed
	现型号 Current Code	原型号 Original Code		Fw	D	C	动 Dynamic	静 Static	油润滑 Oil
				mm			N		rpm
40	RNA49/32			40	52	20			
	RNA69/32	66349/32	147	40	52	36	25500	68500	8500
	RNA405422			40	54	22			
	RNA40X55X20			40	55	20			
42	NK42/20		83	42	52	20	23900	45000	10000
	NK42/30		125	42	52	30	27000	49000	10000
	RNA4907	4624907	99..3	42	55	20	19800	41500	8700
	RNA5907			42	55	27			
	RNA6907	6634907	160	42	55	36	26000	60500	8700
		644708	148	42	65	22	31500	51000	8700
43	NK43/20		84	43	53	20	25700	75000	10000
	NK43/30		126	43	53	30	39000	75000	10000
45	NK45/20	644808	81.5	45	55	20	19800	46500	7650
		624708	75.3	45	55	22	20500	49600	7650
		46449/38	80	45	58	20	21600	50500	7650
	NK45/30			45	55	30	41000	88000	7650
	NKS45			45	60	22	40500	60000	7650
47	RNA456227K			45	62	27			
	NK47/20			47	57	20	28500	56000	7650
48	NK47/30			47	57	30	43000	94000	7650
	RNA4908	4644908	132	48	62	22	31000	63000	8120
	RNA5908		225	48	62	30	31000	63000	8120
50	RNA6908	6634908	238	48	62	40	64000	112000	8120
	RNA50/25		167	50	62	25	28000	67000	8140
	RNA50/35		236	50	62	35	32000	70100	8140
		624708K	328	50	65	34	40000	62000	8140
	NK50/14			50	64	14	32000	70100	8140
	NK50/15			50	65	15	40000	62000	8140
	NK50/27YA	644810	257	50	67	27			
52	NKS50			50	65	22			
	NK506825			50	68	25			
	RNA4909	4624909	163	52	68	22	37000	69500	7600
	RNA5909		232	52	68	30			
55	RNA6909	6634909	308	52	68	40	61500	123500	7600
	NK55/25		167	55	68	25	30600	60800	7600
		624709	210	55	68	25	36000	68000	7600
	NK55/30			55	68	30	48000	63000	7600
				55	68	35	55000	74000	7600

无内圈滚针轴承



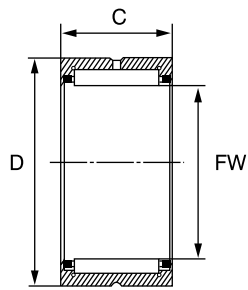
NK, NKS, RNA 49,
RNA 69 (FW ≤ 35mm)



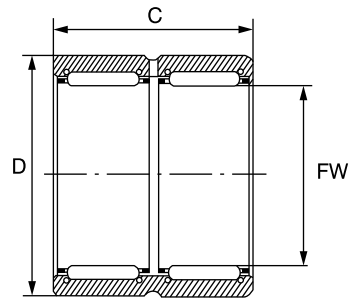
RNA 69 (FW ≥ 40mm)

轴径 Shaft Diameter	轴承型号 Bearing Designation		重量 Mass 近似 Approx	外形尺寸 Boundary Dimensions			基本额定负荷 Basic Load Rating		极限转速 Limiting Speed	
	现型号 Current Code	原型号 Original Code		Fw	D	C	动 Dynamic	静 Static		油润滑 Oil
				mm			N			rpm
55	NKS55			55	72	22	45000	74000	7600	
58	RNA4910	4644910	161	58	72	22	41000	72000	7500	
	RNA6910	6634910	296	58	72	40	68000	135000	7500	
60	NK60/25		154	60	72	25	39000	86000	7000	
	NK60/35			60	72	35	56000	130000	7000	
	NKS60			60	80	28	63000	98000	7000	
63	RNA4911	4644911	241	63	80	25	50600	96580	7000	
	RNA6911	6634911	430	63	80	45	82560	172000	7000	
65	NK65/25			65	78	25	44000	98000	7000	
	NK65/35			65	78	35	59000	142000	7000	
	NKS65			65	85	28	67000	108000	7000	
68	RNA4912	4644912	257	68	85	25	52800	91050	7000	
	RNA5912		408	68	85	34				
	RNA6912	6634912	436	68	85	45	88500	186000	7000	
	NK68/25			68	82	25	43500	89000	7000	
70	NK70/25			70	85	25	44500	92000	6500	
	NK70/35			70	85	35	63000	144000	6500	
72	RNA4913	4644913	300	72	90	25	57500	110500	6500	
	RNA6913	6634913	571	72	90	45	87600	194500	6500	
75	NK75/25		315	75	92	25	54000	104000	6000	
	NK75/35		445	75	92	35	77000	162000	6000	
80	RNA4914	4644914	400	80	100	30	79000	154000	5500	
	RNA6914	6634914	815	80	100	54	121000	263000	5500	
	NK80/25			80	95	25				
	NK80/35			80	95	35				
85	RNA4915	4644915	472	85	105	30	82000	158000	5500	
	RNA5915		745	85	105	40				
	RNA6915	6634915	923	85	105	54	128000	272000	5500	
	NK85/25			85	105	25	69000	123000	5500	
	NK85/35			85	105	35	98000	193000	5500	
90	RNA4916	4644916	496	90	110	30	81000	170500	5000	
	RNA6916	6634916	978	90	110	54	130500	280600	5000	
	NK90/35			90	110	30	103000	20800	5000	
95	NK95/26			95	115	26	73000	137000	4800	
	NK95/36			95	115	36	107000	223000	4800	
96		SG-421	496	96	115	29	73000	137000	4600	
100	RNA4917	4644917	608	100	120	35	98000	207000	4600	
	RNA6917	6634917	1112	100	120	63	161000	337000	4600	
	NK100/30			100	120	30				

无内圈滚针轴承



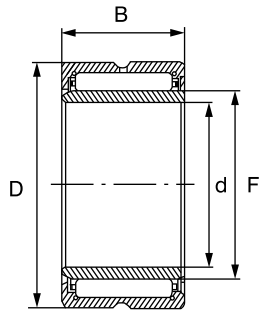
NK, NKS, RNA 49,
RNA 69 (FW ≤ 35mm)



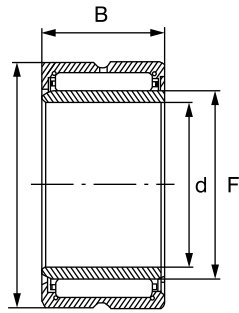
RNA 69 (FW ≥ 40mm)

轴径 Shaft Diameter	轴承型号 Bearing Designation		重量 Mass 近似 Approx	外形尺寸 Boundary Dimensions			基本额定负荷 Basic Load Rating		极限转速 Limiting Speed
	现型号 Current Code	原型号 Original Code		Fw	D	C	动 Dynamic	静 Static	油润滑 Oil
				mm			N		rpm
100	NK100/36			100	120	36	111000	237000	4600
105	RNA4918	4644918	713	105	125	35	98500	239000	4000
	RNA6918	6634918	1250	105	125	63	174000	38000	4000
	NK105/26			105	125	26	78000	155000	4000
	NK105/36			105	125	36	114000	250000	4000
110	RNA4919	4644919	685	110	130	35	112000	245000	3870
	RNA6919	6634919	1325	110	130	63	196000	400000	3870
	NK110/30			110	130	30	98000	21000	4200
	NK110/40			110	130	40	127000	29000	4200
115	RNA4920	4624920	1006	115	140	40	120000	264000	3700
	NK115/12			115	140	12			
	NK115/15			115	140	15			
120	NK120/40			120	140	40			
125	RNA4922	6634922	1200	125	150	40	124000	270000	3300
135	RNA4924	4644924	1760	135	165	45	174000	386000	2900
160	RNA4928	4644928	2350	160	190	50	200000	460000	2900

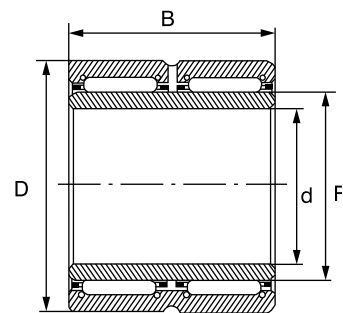
有内圈滚针轴承



NKI NKIS (FW ≤ 7mm)



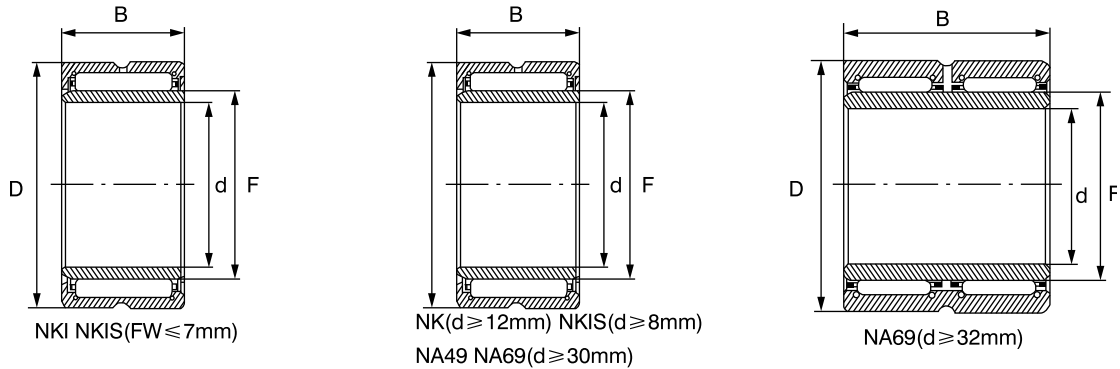
NK (d ≥ 12mm) NKIS (d ≥ 8mm)
NA49 NA69 (d ≥ 30mm)



NA69 (d ≥ 32mm)

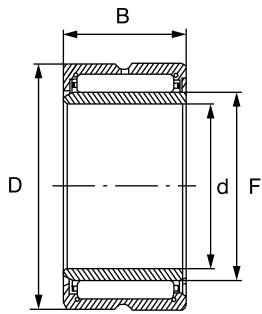
轴径 Shaft Diameter	轴承型号 Bearing Designation		重量 Mass 近似 Approx	外形尺寸 Boundary Dimensions				基本额定负荷 Basic Load Rating		极限转速 Limiting Speed
	现型号 Current Code	原型号 Original Code		d	Fw	D	B	动 Dynamic	静 Static	油润滑 Oil
				mm				N		rpm
5	NA495		7	5		13	10	2670	2350	34000
	NA495TN		7	5		13	10	2670	2350	34000
6	NA496		9	6		15	10	3150	3000	32000
7	NA497		12	7		17	10	3600	3650	30000
8	NKI 8/16			8	14	25	16	12400	11300	21500
	NA498		16	8		19	11	4300	3950	28000
9	NKI 9/12		16.6	9	12	19	12	6200	7000	21700
	NA499		17	9		20	11	4850	4900	26000
	NKI 9/16		21.9	9		19	16			
10	NKI 10/16		27.3	10	14	22	16	9800	10500	19650
	NA4900	4524900	21	10	14	22	13	8000	9000	23700
	NA6900	6534900	38.4	10	14	22	22	9000	11000	23700
12	NA4901	4524901	25.1	12	16	24	13	9000	10800	20000
	NKI 12/20		39	12	16	24	20	14000	18400	21000
	NA6901	6534901	44.5	12	16	24	22	6000	21600	20000
	NKIS12		58	12	18	30	16	16000	17000	20000
	NA12X32X15V			12		32	15			
15	NKI 15/16		38	15	19	27	16	8800	12800	19100
	NKI 15/20		45.7	15	19	27	20	12300	19000	19100
	NA4902	4924902	32	15	20	28	13	6400	9000	18000
	NA6902	6534902	61.6	15	20	28	23	13100	20900	18000
	NKIS15		90	15	22	35	20	23500	24000	17000
	NA5902		52	15	20	28	18			
	NA153212			15		32	12			
74802			15		36	25.4				
16	NKIS16			16		28	16	13000	17400	22000
	NA16X36X24			16		36	24			
17	NKI 17/16		41.1	17	21	29	16	13000	18200	20000
	NA4903	4544903	32.8	17	22	30	13	7000	10000	17000
	NA6903	6534903	68.2	17	22	30	23	14400	24900	17000
	NA5903		56	17	22	30	18	15200	21700	18000
	NA17			17		37	20			
20	NKI 20/16		48.5	20	24	32	16	10800	17000	16700
	NA4904	4524904	70.2	20	25	37	17	21000	25000	17000
	NKIS20		119	20	28	42	20	28000	35500	15000
	NA6904	6254904		20	25	37	30	36000	51000	17000
	NA5904			20	25	37	23			
22	NKI 22/16		50	22	26	34	16	15300	23600	17000
	NA49/22		76	22	28	39	17	22000	29500	15000

有内圈滚针轴承 Needle Roller Bearings With Inner Ring

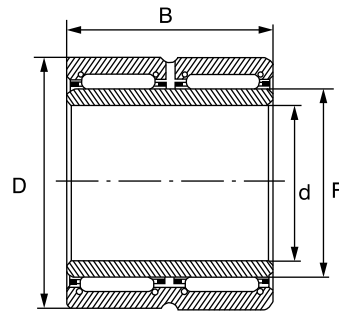


轴径 Shaft Diameter	轴承型号 Bearing Designation		重量 Mass 近似 Approx	外形尺寸 Boundary Dimensions				基本额定负荷 Basic Load Rating		极限转速 Limiting Speed	
	现型号 Current Code	原型号 Original Code		d	Fw	D	B	动 Dynamic	静 Static	油润滑 Oil	
				mm				N		rpm	
22	NA69/22		130	22	28	39	30	37500	55000	15000	
	NA223934			22	28	39	34				
23	NA2020		115	23		42	22				
25	NKI 25/30		76	25	29	38	30	31500	56000	14000	
	NA4905	4524905	138	25	30	42	17	23600	31500	14000	
	NA6905	6534905	160	25	30	42	30	29000	59000	14000	
	NKIS25			25	32	47	22	32000	55000	13000	
		F-208277			25	32	47	22			
	NKI 25/20			25	29	38	20	21900	34000	15000	
28	NA5905		139	25	30	42	23	30500	43000	13000	
	NA49/28	45449/28	98	28	32	45	17	24000	33500	14000	
	NA69/28		170	28	32	45	30	40500	63000	14000	
30	NKI 28/20			28	32	42	20	23000	37500	14000	
	NA4906	4544906	115	30	35	47	17	25000	35500	13000	
	NA5906	6534906	152	30	35	47	23				
	NA6906			30	35	47	30	43500	71000	13000	
	NKI 30/20			30	35	45	20	24000	42500	13000	
32	NKI 30/30			30	35	45	30	36500	69000	13000	
	NK132/20			32	37	47	20	24900	43900	12000	
		TAFI324720		32	37	47	20	24900	43500	12000	
	NA49/32	45449/32	150	32	40	52	20	24900	43500	12000	
35	NA69/32	66349/32	272	32	40	52	36	100000	100000	11000	
	NKI 35/30		165	35	40	50	30	39000	79000	11000	
	NA4907	4524907	151	35	42	55	20	19800	41500	11000	
	NA6907	6534907	301	35	42	55	36	26000	60500	11000	
	NKIS35		220	35	43	58	22	33000	56000	9500	
40	NA5907		256	35	42	55	27				
	NKI 40/20		124	40	45	55	20	22000	48000	10000	
	NKI 40/30		184	40	45	55	30	35000	86000	10000	
	NA4908	4544908	240	40	48	62	22	42000	65000	8500	
	NA6908		401	40	48	62	40	64000	112000	8500	
42	NA5908		348	40	48	62	30	53000	92500	8500	
	NKI 42/20		138	40	47	57	20	26000	52500	9500	
45	NKI 45/25		218	42	50	62	25	36000	70000	8500	
	NKI 45/35		289	42	50	62	35	41500	102000	8500	
	NA4909	4544909	260	45	50	68	22	37000	96500	8000	
	NA6909	6534909	479	45	50	68	40	61500	123500	8000	
	NKIS45		306	45	55	72	22	43000	71000	7500	
	NA5909		396	45	50	68	30				

有内圈滚针轴承 Needle Roller Bearings With Inner Ring



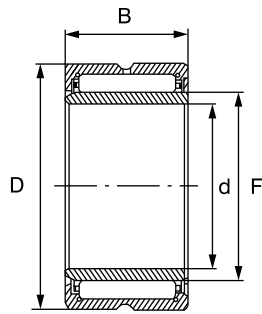
NKI NKIS NA49 NA48



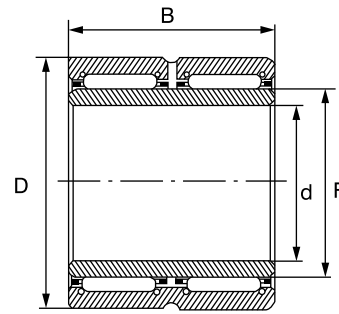
NA69

轴径 Shaft Diameter	轴承型号 Bearing Designation		重量 Mass 近似 Approx	外形尺寸 Boundary Dimensions				基本额定负荷 Basic Load Rating		极限转速 Limiting Speed
	现型号 Current Code	原型号 Original Code		d	Fw	D	B	动 Dynamic	静 Static	油润滑 Oil
mm			g	mm				N		rpm
50	NKI 50/25	TAFI506825	262	50	55	68	25	32000	78000	7500
	NA4910	4544910	264	50	58	72	22	41000	72000	7500
	NA5910			50	58	72	30			
	NA6910	6534910	457	50	58	72	40	68000	135000	7500
	NKIS50		510	50	60	80	28	60000	95000	7500
	NKI 50/35	TAFI506835		50	55	68	35	53000	118000	7500
55	NKI 55/35		357	55	60	72	35	48000	126800	7500
	NA4911	4544911	386	55	63	80	25	50600	96580	7500
	NA5911			55	63	80	34			
	NA6911	6534911	790	55	63	80	45	82560	172000	7500
60	NKI 60/25		388	60	68	82	25	35500	85000	7000
	NA4912	4544912	412	60	68	85	25	52800	110500	6500
	NA5912		614	60	68	85	34			
	NA6912	6534612	798	60	68	85	45	88500	186000	6500
	NKIS60		550	60	70	90	28	65000	110000	6500
65	NA4913	4544913	435	65	72	90	25	57500	110500	6500
	NA6913	6534913	821	65	72	90	45	87600	194500	6500
	NKI 65/25			65	73	90	25	53000	100000	6500
	NKI 65/35			65	73	90	35	75000	156000	6500
70	NA4914	4544914	712	70	80	100	30	79000	154000	5500
	NA6914	6534914	1326	70	80	100	54	121000	263000	5500
	NKI 70/35			70	80	95	35	78000	184000	5500
75	NA4915	4544915	765	75	85	105	30	82000	158000	5500
	NA5915		1130	75	85	105	40			
	NA6915	6534915	1429	75	85	105	54	128000	272000	5500
80	NA4916	4544916	870	80	90	110	30	81000	170500	5500
	NA6916	6534916	1510	80	90	110	54	130500	280600	5000
	NKI 80/35			80	90	110	35	103000	208000	5000
85	NKI 85/26			85	95	115	26	73000	137000	4800
	NKI 85/36		1040	85	95	115	36	107000	223000	4800
	NA4917	4544917	1250	85	100	120	35	111000	237000	4600
	NA6917	6534917	2200	85	100	120	63	166000	400000	4600
90	NKI 90/26			90	100	120	26	26000	146000	4600
	NA4918	4544918	1312	90	105	125	35	114000	250000	4600
	NA6918	6534918	2310	90	105	125	63	172000	425000	4600
95	NA4919	4544919	1371	95	110	130	35	116000	260000	4200
	NA6919	6534919	2500	95	110	130	63	174000	440000	4200
	NKI 95/26			95	105	125	26	78000	115000	4200
	NKI 95/36			95	105	125	36	114000	250000	4200

有内圈滚针轴承



NKI NKIS NA49 NA48



NA69

轴径 Shaft Diameter	轴承型号 Bearing Designation		重量 Mass 近似 Approx	外形尺寸 Boundary Dimensions				基本额定负荷 Basic Load Rating		极限转速 Limiting Speed
	现型号 Current Code	原型号 Original Code		d	Fw	D	B	动 Dynamic	静 Static	油润滑 Oil
				mm				N		rpm
100	NA4920	4544920	1900	100	115	140	40	12000	274000	4000
	NKI100/30			100	110	130	30	98000	210000	4000
110	NA4922	4544922	2070	110	125	150	40	132000	290000	3700
	NA4822		1080	110	120	140	30	94000	216000	3900
120	NA4924	4544924	2860	120	135	165	45	181000	890000	3400
	NA4824		1170	120	130	150	30	99000	239000	3600
130	NA4926	4544926	3900	130	150	180	50	223000	470000	3100
	NA4826		1810	130	145	165	35	118000	310000	3200
140	NA4928	4544928	4150	140	160	190	50	209000	500000	2900
	NA4828		1920	140	155	175	35	120000	325000	3000
150	NA4830		2720	150	165	190	40	152000	400000	2800
160	NA4832		2890	160	175	200	40	160000	435000	2700
170	NA4834		3960	170	185	215	45	185000	510000	2500
180	NA4836		4200	180	195	225	45	194000	550000	2400
190	NA4838		5600	190	210	240	50	227000	690000	2300
200	NA4840		5840	200	220	250	50	230000	720000	2200
220	NA4844		6380	220	240	270	50	243000	790000	2000
240	NA4848		10000	240	265	300	60	355000	1080000	1800
260	NA4852	4524852	11300	260	285	320	60	37000	1160000	1700

内圈 IR, LR Inner Ring IR, LR

⊙内圈用作滚动轴承的滚道，在与滚针轴承配合使用时为普通游隙，并且具有互换性。IR系列内圈均经过热处理并进行精密加工。LR系列内圈均经过热处理和磨削，但端面倒角不磨削。

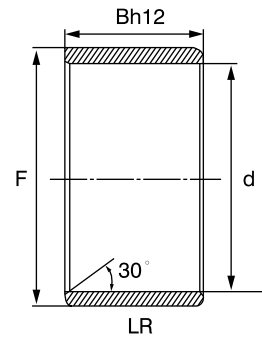
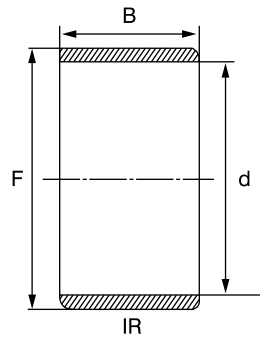
⊙本公司亦可生产普通和高精度的内圈，并生产各类英制系列内圈。

⊙The inner ring is used as the rollway of roller bearing. It is the common free gap when it is used in combination with needle roller bearing and has the changeability. Series IR inner ring is machined with precision machining after heat treatment. Series LR inner ring is ground after heat treatment. The chamfer in end face is not ground.

⊙The common and high-precision inner rings can be produced in our company. All inch-system inner rings can be provided.



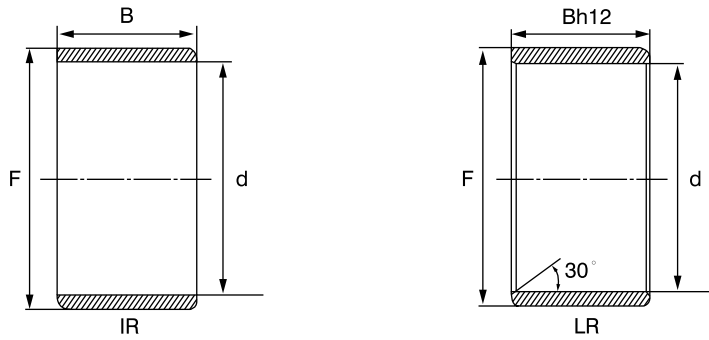
内圈 Inner Ring



轴径 Shaft Diameter	轴承型号 Bearing Designation	重量 Mass 近似 Approx	外形尺寸 Boundary Dimensions		
			d	F	B
mm		g	mm		
5	IR5X8X12	2.79	5	8	12
	IR5X8X16	3.75	5	8	16
6	IR 6X9X12	3.17	6	9	12
	IR 6X9X16	4.3	6	9	16
	IR6X10X10	3.7	6	10	10
	■ IR6X10X12	4.6	6	10	12
7	IR7X10X10.5	3.09	7	10	10.5
	IR7X10X12	3.61	7	10	12
	IR7X10X15.5		7	10	15.5
	IR7X10X16	4.9	7	10	16
7.8	IR06X12X10.5C		7.8	12.2	10.7
8	IR8X12X10	4.8	8	12	10
	IR/LR8X12X10.5	5	8	12	10.5
	IR8X12X12	5.7	8	12	12
	IR/LR8X12X12.5	5.9	8	12	12.5
	IR8X12X15.5		8	12	15.5
	IR8X12X16		8	12	16
	IR8X12X5.5		8	12	5.5
	IR8X13X39		8	13	39
9	IR9X12X7		9	12	7
	IR9X12X12	4.5	9	12	12
	IR9X12X12.5		9	12	12.5
	IR9X12X16	6.1	9	12	16
	IR9X16X16		9	16	16
10	IR10X13X12		10	13	12
	IR/LR10X13X12.5	5.2	10	13	12.5
	IR10X14X10.5		10	14	10.5
	□ IR10X14X12	7.3	10	14	12
	IR10X14X13	7.4	10	14	13
	■ IR10X14X14	8	10	14	14
	IR10X14X16	9.2	10	14	16
	IR10X14X16.5		10	14	16.5
	IR10X14X20	11.6	10	14	20
	IR10X14X20.5		10	14	20.5
	IR10X15X13		10	15	13
	IR10X15X13.5		10	15	13.5
	IR10X15X20.5		10	15	20.5
	IR10X15X25.5		10	15	25.5
14	2R10X16X14		10	16	14

轴径 Shaft Diameter	轴承型号 Bearing Designation	重量 Mass 近似 Approx	外形尺寸 Boundary Dimensions		
			d	F	B
mm		g	mm		
10	IR10X16X15		10	16	15
	IR10X16X16		10	16	16
	IR10X17X15		10	17	15
	IR10X20X20.5		10	20	20.5
	IR10X20X30.5		10	20	30.5
12	IR12X14X15.5		12	14	15.5
	IR12X15X12	5.8	12	15	12
	IR/LR12X15X12.5	6.1	12	15	12.5
	IR12X15X16	8	12	15	16
	IR/LR12X15X16.5	8.1	12	15	16.5
	IR/LR12X15X22.5	11	12	15	22.5
	IR12X15X16.5		12	15	16.5
	IR 12X15X16		12	15	16
	IR12X15X19		12	15	19
	IR12X15X22.5		12	15	22.5
	□ IR12X16X12	7.9	12	16	12
	IR12X16X12		12	16	12
	IR12X16X12.5		12	16	12.5
	IR12X16X13	8.7	12	16	13
	■ IR12X16X14	9.5	12	16	14
	IR12X16X14.5		12	16	14.5
	IR12X16X15		12	16	15
	IR12X16X16	11	12	16	16
	■ IR12X16X16		12	16	16
	IR12X16X16.5		12	16	16.5
	IR12X16X17		12	16	17
IR12X16X20	13.5	12	16	20	
IR12X16X20.5		12	16	20.5	
IR12X16X22		12	16	22	
IR12X16X22.5		12	16	22.5	
IR12X16X23.5		12	16	23.5	
IR12X17X15.5		12	17	15.5	
IR12X17X20		12	17	20	
IR12X17X20.5		12	17	20.5	
IR12X17X22.5		12	17	22.5	
IR12X17X25.5		12	17	25.5	
13	IR13X16X20.5		13	16	20.5
14	IR14X16X16		14	16	16
	IR14X17X17	10	14	17	17

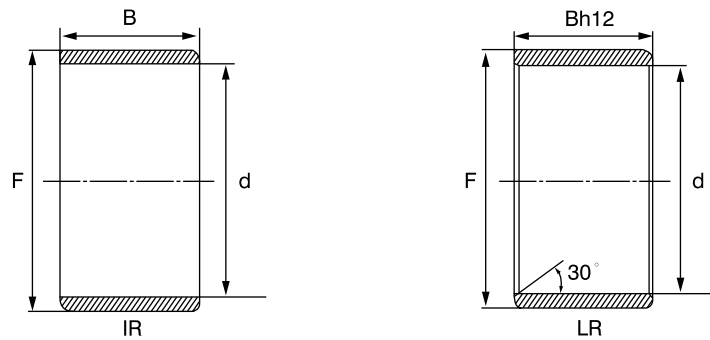
内圈 Inner Ring



轴径 Shaft Diameter	轴承型号 Bearing Designation	重量 Mass 近似 Approx	外形尺寸 Boundary Dimensions			
			d	F	B	
mm		g	mm			
14	IR14X25X30		14	25	30	
15	IR15X18X12.5	7.2	15	18	12.5	
	IR15X18X15.5		15	18	15.5	
	IR15X18X16	9.6	15	18	16	
	IR15X18X16.5	9.9	15	18	16.5	
	IR15X18X17.5		15	18	17.5	
	IR15X18X20.5		15	18	20.5	
	IR15X19X10		15	19	10	
	IR15X19X13.5		15	19	13.5	
	IR15X19X16	12.8	15	19	16	
	IR15X19X16.5		15	19	16.5	
	IR15X19X20	16.4	15	19	20	
	IR15X19X20.5		15	19	20.5	
	□ IR15X20X12	12.1	15	20	12	
	IR15X20X13	13.5	15	20	13	
	■ IR15X20X14	14.7	15	20	14	
	IR15X20x14 孔		15	20	14	
	IR15X20X15		15	20	15	
	IR15X20X15.5		15	20	15.5	
	IR15X20X16		15	20	16	
	IR15X20X18		15	20	18	
	IR15X20X20		15	20	20	
	IR15X20X20.5		15	20	20.5	
	IR15X20X23	24.4	15	20	23	
	IR15X20X25.5		15	20	25.5	
	IR15X20X30.5		15	20	30.5	
	16	IR16X20X14		16	20	14
		IR16X20X16		16	20	16
IR16X20X20			16	20	20	
IR16X20X32			16	20	32	
IR16X24X20			16	24	20	
17	IR17X20X16	10.7	17	20	16	
	IR17X20X16.5	11.1	17	20	16.5	
	IR17X20X20	13.5	17	20	20	
	IR17X20X20.5	13.8	17	20	20.5	
	IR17X20X30		17	20	30	
	IR17X20X30.5	20.6	17	20	30.5	
	IR17X21X16	14.3	17	21	16	
	IR17X21X16.5		17	21	16.5	

轴径 Shaft Diameter	轴承型号 Bearing Designation	重量 Mass 近似 Approx	外形尺寸 Boundary Dimensions		
			d	F	B
mm		g	mm		
17	IR17X21X20	18	17	21	20
	IR17X21X20.5		17	21	20.5
	IR17X22X13	14.9	17	22	13
	■ IR17X22X14	16.4	17	22	14
	IR17X22X15.5		17	22	15.5
	IR17X22X16	18.7	17	22	16
	IR17X22X20.5		17	22	20.5
	IR17X22X23	27.1	17	22	23
	IR17X22X26		17	22	26
	IR17X22X32		17	22	32
	IR17X22X20	33.6	17	24	20
	18	IR18X22X17.8		18	22
IR18X22X19			18	22	19
20	IR20X24X16	16.5	20	24	16
	IR20X24X16.5		20	24	16.5
	IR20X24X28.5		20	24	28.5
	IR20X25X10.5		20	25	10.5
	IR20X25X12.5	20	20	25	12.5
	IR20X25X15.5		20	25	15.5
	IR20X25X17	22.4	20	25	17
	IR20X25X18	24.3	20	25	18
	IR20X25X20	27.5	20	25	20
	IR20X25X20.5	28.2	20	25	20.5
	IR20X25X23		20	25	23
	IR20X25X25		20	25	25
	IR20X25X25.5		20	25	25.5
	IR20X25X26		20	25	26
	IR20X25X26.5	36.1	20	25	26.5
	IR20X25X30	40.9	20	25	30
	IR20X25X30.5		20	25	30.5
	IR20X25X32		20	25	32
	IR20X25X32A		20	25	32
	IR20X25X320H		20	25	32
IR20X25X38.5	52.5	20	25	38.5	
IR20X26X16		20	26	16	
IR20X26X20		20	26	20	
IR20X28X20	45.2	20	28	20	
IR20X30X30		20	30	30	
22	IR22X26X20	23.2	22	26	20

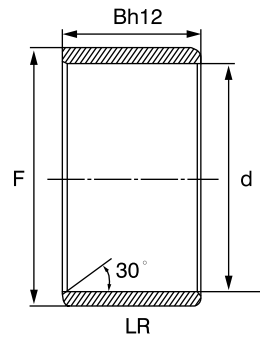
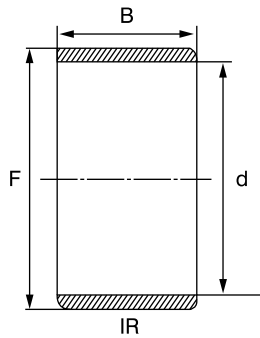
内圈 Inner Ring



轴径 Shaft Diameter	轴承型号 Bearing Designation	重量 Mass 近似 Approx	外形尺寸 Boundary Dimensions		
			d	F	B
mm		g	mm		
22	IR22X26X16	17.5	22	26	16
	IR22X26X20.5		22	26.5	20.5
	IR22X28X17	29.8	22	28	17
	IR22X28X20	35	22	28	20
	IR22X28X20.5	36	22	28	20.5
	IR22X28X30		22	28	30
	IR22X28X30.5		22	28	30.5
	IR22X28X20.5		22	28	20.5
	IR22X28X30		22	28	30
	IR22X31.5X19.8		22	31.5	19.8
	IR22X32X20		22	32	20
25	IR25X29X20	25.5	25	29	20
	IR25X29X20.5		25	29	20.5
	IR25X29X30	39.3	25	29	30
	IR25X29X30.5		25	29	30.5
	IR25X29X40		25	29	40
	IR25X30X12.5		25	30	12.5
	IR25X30X15.5	20	25	30	15.5
	□ IR25X30X16 孔	26	25	30	16
	IR25X30X16		25	30	16
	IR25X30X16.5	26.7	25	30	16.5
	IR25X30X16		25	30	16
	■ IR25X30X17	27.5	25	30	17
	IR25X30X18	29.8	25	30	18
	IR25X30X20	32.6	25	30	20
	IR25X30X20.5	33.5	25	30	20.5
	IR25X30X22		25	30	22
	IR25X30X25.5		25	30	25.5
	IR25X30X26		25	30	26
	IR25X30X26.5	43.3	25	30	26.5
	IR25X30X30	50.1	25	30	30
	IR25X30X30.5		25	30	30.5
	IR25X30X32	53	25	30	32
	IR25X30X32.5		25	30	32.5
	IR25X30X38		25	30	38
IR25X30X38.5	63.8	25	30	38.5	
IR25X32X22	51.7	25	30	22	
28	IR28X32X17	24.5	28	32	17
	IR28X32X20	28.4	28	32	20

轴径 Shaft Diameter	轴承型号 Bearing Designation	重量 Mass 近似 Approx	外形尺寸 Boundary Dimensions		
			d	F	B
mm		g	mm		
28	IR28X32X23		28	32	23
	IR28X32X30	43.8	28	32	30
	IR28X32X30.5		28	32	30.5
	IR28X32X47		28	32	47
29	IR29X32X13	14.8	29	32	13
	IR29X35X26		29	35	26
30	IR30X35X12.5	23.3	30	35	12.5
	IR30X35X13	25	30	35	13
	IR30X35X15.5		30	35	15.5
	IR30X35X16	30.8	30	35	16
	IR30X35X17	32.3	30	35	17
	■ IR30X35X18	35.3	30	35	18
	IR30X35X20	40	30	35	20
	IR30X35X20.5	40.7	30	35	20.5
	IR30X35X25.5		30	35	25.5
	IR30X35X26	50.3	30	35	26
	IR30X35X30	58.9	30	35	30
	IR30X35X30.5		30	35	30.5
	IR30X35X32		30	35	32
	IR30X37X18	50	30	37	18
	IR30X37X22	60.8	30	37	22
	IR30X37X22A		30	37	22.1
	□ IR30X38X20	64.8	30	38	20
IR30X38X20A		30	38	20	
IR30X38X20ASI		30	38	20	
IR30X40X17		30	40	17	
32	IR32X34X20.5		32	34	20.5
	IR32X37X20	42	32	37	20
	IR32X37X20.5		32	37	20.5
	IR32X37X30	62.7	32	37	30
	IR32X38X20.5		32	38	20.5
	IR32X38X30.5		32	38	30.5
	IR32X40X20	68	32	40	20
	IR32X40X36	124	32	40	36
	IR32X40X36A1		32	40	36
	IR33X37X13	21.9	33	37	13
34	IR34X42X20		34	42	20
35	IR35X40X12.5	27.2	35	40	12.5
	IR35X40X15		35	40	15

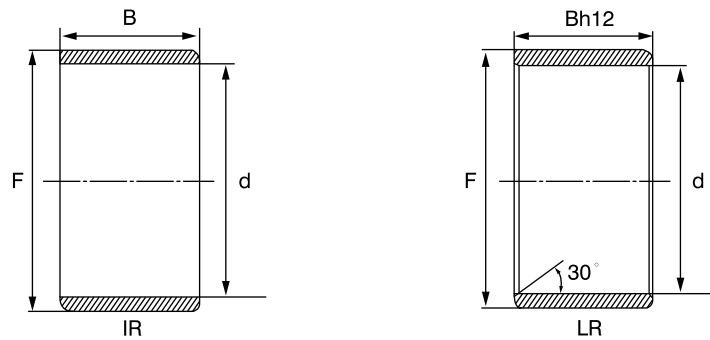
内圈 Inner Ring



轴径 Shaft Diameter	轴承型号 Bearing Designation	重量 Mass 近似 Approx	外形尺寸 Boundary Dimensions		
			d	F	B
mm		g	mm		
35	IR35X40X15.5		35	40	15.5
	IR35X40X16.5	37.4	35	40	16.5
	IR35X40X17	38.3	35	40	17
	IR35X40X20	44.4	35	40	20
	IR35X40X20.5	46.1	35	40	20.5
	IR35X40X21		35	40	21
	IR35X40X25		35	40	25
	IR35X40X25.5		35	40	25.5
	IR35X40X30	67.9	35	40	30
	IR35X40X30.5		35	40	30.5
	IR35X40X34		35	40	34
	IR35X40X40		35	40	40
	□ IR35X42X20	63.9	35	42	20
	IR35X42X20.5	66	35	42	20.5
	■ IR35X42X21	67.7	35	42	21
	■ IR35X42X23	74	35	42	23
	IR35X42X36	117	35	42	36
	IR35X42X37		35	42	37
	IR35X43X22	82	35	43	22
IR35X65X28		35	65	28	
36	IR36.2X50X25.5		36	50	25.5
38	IR38X43X20	48.1	38	43	20
	IR38X43X30	73.6	38	43	30
	IR38X45X46		38	45	46
40	IR40X45X12		40	45	12
	IR40X45X16		40	45	16
	IR40X45X16.5	41.4	40	45	16.5
	IR40X45X17	42.5	40	45	17
	IR40X45X20	50.5	40	45	20
	IR40X45X20.5	52.5	40	45	20.5
	IR40X45X22.5		40	45	22.5
	IR40X45X25		40	45	25
	IR40X45X25.5		40	45	25.5
	IR40X45X30	77.1	40	45	30
	IR40X45X30.5		40	45	30.5
	IR40X45X34		40	45	34
	IR40X45X40		40	45	40
	IR40X45X40.5		40	45	40.5
	IR40X45X40ASI		40	45	40

轴径 Shaft Diameter	轴承型号 Bearing Designation	重量 Mass 近似 Approx	外形尺寸 Boundary Dimensions		
			d	F	B
mm		g	mm		
40	IR40X48X22		40	48	22
	■ IR40X48X23		40	48	23
	IR40X48X30		40	48	30
	IR40X48X40		40	48	40
	IR40X49.5X40		40	49.5	40
	IR40X50X20.5		40	50	20.5
	□ IR40X50X20		40	50	20
	IR40X50X22		40	50	22
	IR40X50X35		40	50	35
	IR40X55X17		40	55	17
	42	IR42X47X20		42	47
IR42X47X30			42	47	30
44	IR44X52X32		44	52	32
45	IR45X50X14		45	50	14
	IR45X50X15.5		45	50	15.5
	IR45X50X20		45	50	20
	IR45X50X20.5		45	50	20.5
	IR45X50X25		45	50	25
	IR45X50X25.5		45	50	25.5
	IR45X50X26		45	50	26
	IR45X50X30.5		45	50	30.5
	IR45X50X35		45	50	35
	IR45X50X40		45	50	40
	IR45X50X40.5		45	50	40.5
	IR45X50X45.5		45	50	45.5
	IR45X52X22		45	52	22
45.2	■ IR45X52X23		45	52	23
	IR45X52X40		45	52	40
	□ IR45X55X20		45	55	20
	IR45X55X22		45	55	22
	IR45X55X40		45	55	40
	IR45.2X58X36		42.5	58	36
	IR47X60X35		47	60	35
48	IR48X55X20		48	55	20
50	IR50X55X17		50	55	17
	□ IR50X55X20		50	55	20
	IR50X55X20.5		50	55	20.5
	IR50X55X25		50	55	25
	IR50X55X25.5		50	55	25.5

内圈 Inner Ring



轴径 Shaft Diameter	轴承型号 Bearing Designation	重量 Mass 近似 Approx	外形尺寸 Boundary Dimensions		
			d	F	B
mm		g	mm		
50	IR50X55X26		50	55	26
	IR50X55X35	112	50	55	35
	IR50X55X40		50	55	40
	IR50X55X42		50	55	42
	IR50X55X45.5		50	55	45.5
	IR50X55X20		50	55.3	20.3
	IR50X56X21.5		50	56	21.5
	IR50X58X16		50	58	16
	IR50X58X22	115	50	58	22
	■ IR50X58X23	119	50	58	23
	IR50X58X40	209	50	58	40
	□ IR50X60X20	129	50	60	20
	IR50X60X25	163	50	60	25
	IR50X60X25.5		50	60	25.5
	IR50X60X28	183	50	60	28
	IR50X60X50		50	60	50
IR50X60X50.5		50	60	50.5	
51	IR51X63X52		51	63	52
54	IR54X60X25		54	60	25
55	IR55X60X12		55	60	12
	IR55X60X25	86	55	60	25
	IR55X60X32.5EGS		55	60	32.5
	IR55X60X35	121	55	60	35
	IR55X60X36EGS		55	60	36
	IR55X63X25	141	55	63	25
	IR55X63X45	256	55	63	45
	IR55X63X65.25		55	63	65.25
	IR55X65X20		55	65	20
	IR55X65X25		55	65	25
	IR55X65X28	195	55	65	28
	IR55X65X30		55	65	30
	IR55X65X60		55	65	60
	IR55X65X90		55	65	90
	IR55X65X110		55	65	110
	60	IR60X68X25	152	60	68
IR60X68X35		213	60	68	35
IR60X68X45		275	60	68	45
IR60X70X30			60	70	30
IR60X70X25		195	60	70	25

轴径 Shaft Diameter	轴承型号 Bearing Designation	重量 Mass 近似 Approx	外形尺寸 Boundary Dimensions		
			d	F	B
mm		g	mm		
60	IR60X70X28	216	60	70	28
	IR60X70X30		60	70	30
	IR60X70X35		60	70	35
	IR60X70X60		60	70	60
	IR60X73X35		60	73	35
	65	IR65X72X25	142	65	72
IR65X72X45		259	65	72	45
IR65X73X25		164	65	73	25
IR65X75X28		230	65	75	28
IR65X75X30			65	75	30
70	IR70X80X25	224	70	80	25
	IR70X80X30	267	70	80	30
	IR70X80X54	487	70	80	54
	IR70X80X56	506	70	80	56
	IR70X80X60		70	80	60
	IR70X80X80		70	80	80
73	IR73X80X35		73	80	35
75	IR75X85X35	238	75	85	25
	IR75X85X25	287	75	85	30
	IR75X85X54	520	75	85	54
78	IR78X90X80		78	90	80
80	IR80X90X25	254	80	90	25
	IR80X90X30	304	80	90	30
	IR80X90X35	355	80	90	35
	IR80X90X54	550	80	90	54
	IR80X92X50		80	92	50
	85	IR85X95X26	280	85	95
IR85X95X30			85	95	30
IR85X100X35		580	85	100	35
IR85X95X36			85	95	36
IR85X100X63		100	85	100	63
IR88X100X30			88	100	30
90	IR90X100X26	294	90	100	26
	IR90X100X30	340	90	100	30
	IR90X105X36	610	90	105	35
	IR90X105X63	1110	90	105	63
95	IR95X105X26	313	95	105	26
	IR130X150X50	1690	130	150	50

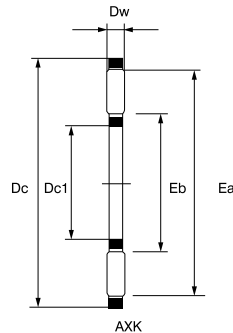
推力平面轴承 Thrust Ball Bearing With Flat Seat

- ⊙ 推力滚针轴承 AXK、AXW、AX、TC、NTB 系列
- ⊙ 推力滚柱滚子轴承 811、812、893、874、894 系列
- ⊙ 推力滚针轴承或推力圆柱滚子轴承是在一套滚道垫圈间配置带保持架的滚针（滚子），保持架可靠地引导并夹持大量滚动体，同一组件中的滚动体仅有及其微小的差异。推力滚针轴承或推力圆柱轴承仅能支承，一个方向轴向负荷的轴承，可作为刚性良好且轴向占有空间最小的轴承配置。
- ⊙ 推力垫圈、轴圈、座圈
- ⊙ 推力垫圈 AS LS GS WS ZS TRA TRB TRC TRD 系列
- ⊙ 推力垫圈 AS 系列是用高质量的弹簧钢冲压而成，其厚度为 1mm，并经淬硬和抛光。当相邻部件表面刚性虽好但不宜作滚道时，AS 系列垫圈就充分发挥了它的作用。
- ⊙ 推力垫圈 GS、WS、LS 系列是用轴承钢制成并经淬硬处理。座圈 GS 外表面和轴圈 WS 内表面是经过磨削制成。LS 则是特别经济的车制外表面和内表面。
- ⊙ 推力垫圈 ZS 系列，当组件使用需要作双向定位的轴承配置时，本公司可提供 ZS 中圈系列，中圈 ZS 系列可轴向定位或座孔定位。

- ⊙ Thrust Needle Roller Bearing, Series AXK, AXW, AX TC, NTB
- ⊙ Thrust Parallel Roller Bearing, Series 811, 812, 893, 874, 894
- ⊙ The thrust needle roller bearing or thrust parallel roller bearing is such a manner that the needles (rollers) with cage are set up in the space between rollway and collar and the cage reliably guides and clamps a lot of rolling bodies. There is a little difference among the rolling bodies in the same set. The thrust needle roller bearing or thrust parallel roller bearing is the one only supporting the axial load in one direction. It is used as the bearing allocation having the good rigidity and axial small space.
- ⊙ Thrust Collar, Shaft Ring and Seat Ring
- ⊙ Thrust Collar, Series AS, LS, GS, WS, ZS, TRA, TRB, TRC TRD.
- ⊙ Series AS thrust collar is punched with the high quality steel spring plate in thickness of 1mm and quenched and polished. When the surface of the adjacent parts can not be acted as rollway, although it has a good rigidity, Series AS collar shall play its full action.
- ⊙ Series GS, WS, LS thrust collars are made of bearing steel with the quenching process. The outer surface of GS seat ring and the inner surface of WS shaft ring are ground. Series LS thrust collar is an economic product with machining the outer and inter surfaces.
- ⊙ As for Series ZS thrust collar, when it is required for assembly to set up the bearing as bidirectional location, the series ZS collar can be used as axial location or seat hole location.

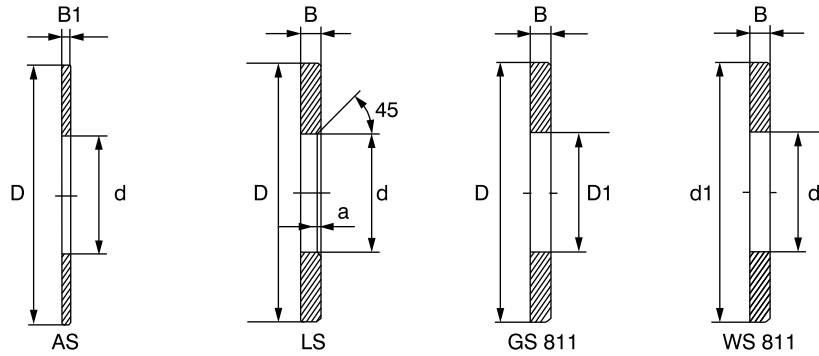


推力滚针和保持架组件 Thrust Needle Roller and Cage Assemblies



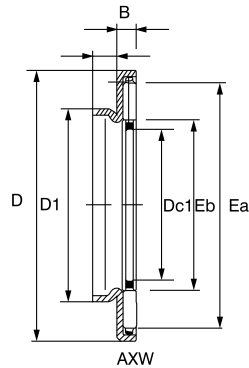
轴径 Shaft Diameter	推力滚针和保持架组件 Axial Needle Roller and Cage Assemblies			推力轴承垫圈 Thrust bearing Washer					
	现型号 Current Code	原型号 Original Code	重量 Mass	轴承垫圈 代号 Bearing Washer	重量 Mass	轴圈代号 Shaft Ring	座圈代号 Seat Ring	推力轴承垫圈 代号 Axial Bearing Washer	重量 Mass
mm			g		g				g
4	AXK 0414TN		0.7	AS 0414	1	—	—	—	—
5	AXK 0515TN		0.8	AS 0515	1	—	—	—	—
6	AXK 0619TN	889016	1	AS 0619	2	LS 0619	—	—	4
8	AXK 0821TN	889018	2	AS 0821	2	LS 0821	—	—	4
10	AXK 1024	889100	3	AS 1024	3	LS 1024	—	—	7
12	AXK 1226	889101	3	AS 1226	3	LS 1226	—	—	8
15	AXK 1528	889102	4	AS 1528	3	LS 1528	GS 81102	WS 81102	9
17	AXK 1730	889103	4	AS 1730	4	LS 1730	GS 81103	WS 81103	9
20	AXK 2035	889104	5	AS 2035	5	LS 2035	GS 81104	WS 81104	13
25	AXK 2542	889105	7	AS 2542	7	LS 2542	GS 81105	WS 81105	19
30	AXK 3047	889106	8	AS 3047	8	LS 3047	GS 81106	WS 81106	22
35	AXK 3552	889107	10	AS 3552	9	LS 3552	GS 81107	WS 81107	29
40	AXK 4060	889108	16	AS 4060	12	LS 4060	GS 81108	WS 81108	40
45	AXK 4565	889109	18	AS 4565	13	LS 4565	GS 81109	WS 81109	50
50	AXK 5070	889110	20	AS 5070	14	LS 5070	GS 81110	WS 81110	55
55	AXK 5578	889111	28	AS 5578	18	LS 5578	GS 81111	WS 81111	88
60	AXK 6085	889112	33	AS 6085	22	LS 6085	GS 81112	WS 81112	97
65	AXK 6590	889113	35	AS 6590	24	LS 6590	GS 81113	WS 81113	115
70	AXK 7095	889114	60	AS 7095	25	LS 7095	GS 81114	WS 81114	123
75	AXK 75100	889115	61	AS 75100	27	LS 75100	GS 81115	WS 81115	142
80	AXK 80105	889116	63	AS 80105	28	LS 80105	GS 81116	WS 81116	151
85	AXK 85110	889117	67	AS 85100	29	LS 85110	GS 81117	WS 81117	159
90	AXK 90120	889118	86	AS 90120	39	LS 90120	GS 81118	WS 81118	234
100	AXK 100135	889120	104	AS 100135	50	LS 100135	GS 81120	WS 81120	350
110	AXK 110145	889122	122	AS 110145	55	LS 110145	GS 81122	WS 81122	385
120	AXK 120155	889124	131	AS 120155	59	LS 120155	GS 81124	WS 81124	415
130	AXK 130170	889126	205	AS 130170	65	LS 130170	GS 81126	WS 81126	663
140	AXK 140180	889128	219	AS 140180	79	LS 140180	GS 81128	WS 81128	749
150	AXK 150190	889130	232	AS 150190	84	LS 150190	GS 81130	WS 81130	796
160	AXK 160200	889132	246	AS 160200	89	LS 160200	GS 81132	WS 81132	842

推力滚针和保持架组件 Thrust Needle Roller and Cage Assemblies



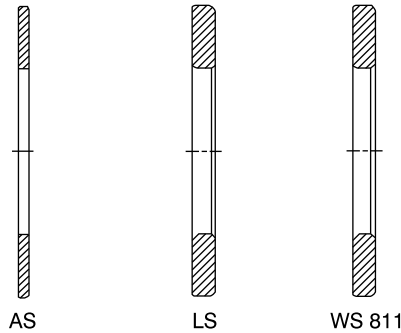
尺寸 Dimension								滚道尺寸 Track size		基本额定负荷 Basic Load Rating KN		极限转速 Limiting Speed r/min
Dcl	D1	Dc	d1	Dw	B1	B	a	Eb	Ea	动C	静Co	
d		D				r						
4	-	14	-	2	1	-	-	5	13	4.4	8	21000
5	-	15	-	2	1	-	-	6	14	4.75	9.2	21000
6	-	19	-	2	1	2.75	0.3	7	18	6.8	15.5	19000
8	-	21	-	2	1	2.75	0.3	9	20	7.8	19.4	18000
10	-	24	-	2	1	2.75	0.3	12	23	9.2	25.5	17000
12	-	26	-	2	1	2.75	0.3	14	25	9.9	29	15000
15	16	28	28	2	1	2.75	0.3	17	27	11.3	36	13000
17	18	30	30	2	1	2.75	0.3	19	29	11.9	39.5	12000
20	21	35	35	2	1	2.75	0.3	22	34	13.1	46.5	10000
25	26	42	42	2	1	3	0.6	29	41	14.7	58	8500
30	32	47	47	2	1	3	0.6	34	46	16.3	70	7500
35	37	52	52	2	1	3.5	0.6	39	51	17.8	81	6500
40	42	60	60	3	1	3.5	0.6	45	58	28	114	6000
45	47	65	65	3	1	4	0.6	50	63	30	128	5000
50	52	70	70	3	1	4	0.6	55	68	32	143	4800
55	57	78	78	3	1	5	0.6	60	76	38	186	4300
60	62	85	85	3	1	4.75	1	65	83	44.5	234	4000
65	67	90	90	3	1	5.25	1	70	88	46.5	255	3700
70	72	95	95	4	1	5.25	1	74	93	54	255	3500
75	77	100	100	4	1	5.75	1	79	98	55	265	3300
80	82	105	105	4	1	5.75	1	84	103	56	280	3100
85	87	110	110	4	1	5.75	1	89	108	58	290	3000
90	92	120	120	4	1	6.5	1	94	118	73	405	2700
100	102	135	135	4	1	7	1	105	133	91	560	2500
110	112	145	145	4	1	7	1	115	143	97	620	2300
120	122	155	155	4	1	7	1	125	153	102	680	2100
130	132	170	170	5	1	9	1	136	167	133	840	1900
140	142	180	178	5	1	9.5	1	146	177	138	900	1800
150	152	190	188	5	1	9.5	1	156	187	143	960	1700
160	162	200	198	5	1	9.5	1	166	197	145	1020	1600

推力滚针和保持架组件 Thrust Needle Roller and Cage Assemblies



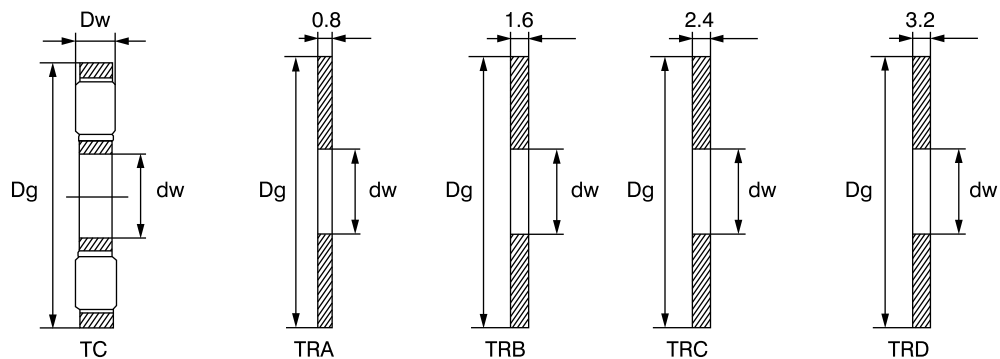
轴径 Shaft Diameter	轴承型号 Bearing Designation	重量 Mass	尺寸 Dimension					滚道尺寸 Track size		基本额定负荷 Basic Load Rating		极限转速 Limiting Speed r/min
			Dc1	D1	D	B	B1	Eb	Ea	C	Co	
mm		g	KN									
10	AXW10	8.3	10	14	27	3.2	3	12	23	9.2	25.5	16000
12	AXW12	9.1	12	16	29	3.2	3	14	25	9.9	29	14000
15	AXW15	10	10	15	21	3.2	3.5	17	27	11.3	36	13000
17	AXW17	11	17	23	33	3.2	3.5	19	29	11.9	39.5	12000
20	AXW20	14	20	26	38	3.2	3.5	22	34	13.1	46.5	10000
25	AXW25	20	25	32	45	3.2	4	29	41	14.7	58	8000
30	AXW30	22	30	37	50	3.2	4	34	46	16.3	70	7000
35	AXW35	27	35	42	55	3.2	4	39	51	17.8	81	6500
40	AXW40	39	40	47	63	4.2	4	45	58	28	114	5500
45	AXW45	43	45	52	68	4.2	4	50	63	30	128	5000
50	AXW50	49	50	58	73	4.2	4.5	55	68	32	143	4700

推力滚针和保持架组件



适合组合的轴承垫圈和轴承 Bearing Washer and bearing suitable for combination							
AS	LS	WS811	HK	HK--RS	BK	NK NKS RNS49 RNA69	NKI NKIS NA49 NA69
AS1024	LS1024	—	HK1010, HK1012	—	BK1010, BK1012	NK7/10TN	—
—	—	—	HK1015	—	BK1015	NK7/12TN	—
AS1226	LS1226	—	HK1210	—	BK1210	NK9/12TN	NKI6/12TN
—	—	—	—	—	—	NK9/16TN	NKI6/16TN
AS1528	LS1528	WS81102	HK1512, HK1516	HK1514RS	BK1512, BK1516	—	—
—	—	—	HK1522	—	—	—	—
AS1730	LS1730	WS81103	HK1712	—	—	NK15/16, NK15/20	—
AS2035	LS2035	WS81104	HK2012, HK2016	HK2018RS	BK2016	NK18/16, NK18/20	—
—	—	—	HK2020	—	BK2020	—	—
—	—	—	HK2030	—	—	—	—
AS2542	LS2542	WS81105	HK2512, HK2516	HK2518RS	—	NK24/16, NK24/20	NKI20/16
—	—	—	HK2520, HK2526	—	BK2520, BK2526	NKS20	NKI20/20
—	—	—	HK2538	—	BK2538	—	—
AS3047	LS3047	WS81106	HK3012, HK3016	HK3018RS	BK3012, BK3016	NK28/20, NK28/30	NA4904
—	—	—	HK3020, HK3026	—	BK3020, BK3026	NKS24	NA6904
—	—	—	HK3038	—	BK3038	RNA4904, RNA6904	—
AS3552	LS3552	WS81107	HK3512, HK3516	HK3518RS	—	NK32/20, NK32/30	NKIS20, NA4905
—	—	—	HK3520	—	BK3520	NKS28	NA6905
—	—	—	—	—	—	RNA4905, RNA6905	NKI28/20, NKI28/30
AS4060	LS4060	WS81108	HK4012, HK4016	HK4018RS	—	NK37/20, NK37/30	NKIS25, NA4906
—	—	—	HK4020	—	BK4020	NKS32	NA6906
—	—	—	—	—	—	RNA4906, RNA6906	NKI32/20
—	—	—	—	—	—	—	NK132/30
AS4565	LS4565	WS81109	HK4516, HK4520	HK4518RS	BK4520	NK42/20, NK42/30	NKIS30
—	—	—	—	—	—	NKS37	NA49/32
—	—	—	—	—	—	RNA49/30, RNA69/32	NA69/32
AS5070	LS5070	WS81110	HK5020, HK5025	HK5022RS	—	NKS43	NKIS35

推力滚针和保持架组件 (英制系列) Thrust Needle Roller and Cage Assemblies (Inch Series)



轴径 Shaft Diameter	轴承型号 Bearing Designation	外形尺寸 Boundary Dimensions						基本额定负荷 Basic Load Rating		极限转速 Limiting Speed	垫圈 TRA TRB TRC TRD
		dw/d		Dg/D		Dw		动 Dynamic	静 Static	油润滑 Oil	
		inch	mm	inch	mm	inch	mm	N		rpm	
1/4	TC411	0.250	6.35	0.687	17.45	0.0781	1.984	1370	3000	16000	411
5/16	TC512	0.312	7.49	0.750	19.05	0.0781	1.984	1560	3650	15000	512
3/8	TC613	0.375	9.52	0.812	20.62	0.0781	1.984	1620	4000	15000	613
1/2	TC815	0.500	12.70	0.937	23.80	0.0781	1.984	1920	5300	13000	815
5/8	TC1018	0.625	15.88	1.125	28.58	0.0781	1.984	2170	6600	11000	1018
3/4	TC1220	0.750	19.05	1.250	31.75	0.0781	1.984	2410	8000	9500	1220
7/8	TC1423	0.875	22.22	1.437	36.50	0.0781	1.984	2900	10500	8500	1423
	TC1427	0.875	22.22	1.687	42.85	0.0781	1.984	4400	18600	7500	1427
1	TC1625	1.000	25.40	1.562	39.67	0.0781	1.984	3150	12100	7500	1525
1 ¹ / ₈	TC1828	1.125	28.58	1.750	44.45	0.0781	1.984	3850	16300	6500	1828
1 ³ / ₁₆	TC1931	1.188	30.16	1.937	49.20	0.0781	1.984	4500	20500	6000	1931
1 ¹ / ₄	TC2013	1.250	31.75	1.937	49.20	0.0781	1.984	4500	20500	6000	2013
1 ³ / ₈	TC2233	1.375	34.92	2.062	52.37	0.0781	1.984	4600	21600	5500	2233
1 ¹ / ₂	TC2435	1.500	38.10	2.187	55.55	0.0781	1.984	4850	23700	5000	2435
1 ³ / ₄	TC2840	1.750	44.45	2.500	63.50	0.0781	1.984	5600	30000	4500	2840
2	TC3244	2.000	50.80	2.750	69.85	0.0781	1.984	5800	32500	4000	3244
2 ¹ / ₄	TC3648	2.250	57.15	3.000	76.20	0.0781	1.984	6000	35000	3600	3648
2 ¹ / ₂	TC4052	2.500	63.50	3.250	82.55	0.0781	1.984	6200	37500	3300	4052
3	TC4860	3.000	76.20	3.750	95.25	0.0781	1.984	6600	42500	2800	4860
3 ¹ / ₄	TC5266	3.250	82.55	4.125	104.78	0.1250	3.175	10900	61000	2600	5266
4 ¹ / ₈	TC6681	4.125	104.78	6.062	128.57	0.1250	3.175	14200	92000	2100	6681

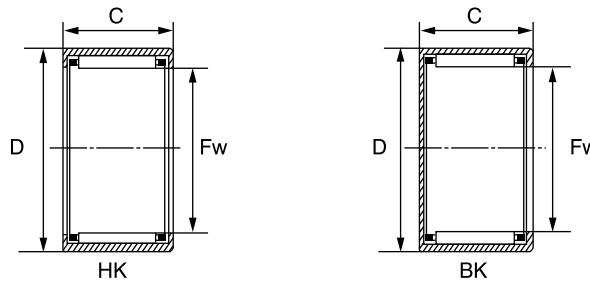
汽车轴承 Automobile Bearing

⊙ 本厂可提供国产轿车、微型面包车、重载卡车、轻型车、翻斗车、装载机、农用车等各种汽车用滚针轴承、圆柱滚子轴承以及进口汽车用英制滚针轴承。

⊙ All sorts of needle roller bearing and parallel roller bearing as well as inch-system needle roller bearing used for all kinds of automobiles can be provided by our company, including home-made car, micro-car, minibus, heavy truck, light truck, dump body truck, loader and agricultural trucks.



汽车轴承



轴承型号 Bearing Designation		外形尺寸 Boundary Dimensions				
现型号 Current Code	原型号 Original Code	Fw	D	C	C1	C2
		mm				
8-101-2A		17.02	23.83	17.4		
NB-101		17.02	23.83	17.53		
NB-110		15.875	23.83		22	19
09030	WAI-8-102	17.02	23.83		20.5	17
BA607		17	23.83	17.47		
A079101414		17	23.812		22.1	18.54
A079078625		17	23.812		22.1	18.54
DB-63063		17	23.812		22.1	18.54
A079103477		17	23.812		31.5	24
A079101836		17	23.812		31.5	24
DB-50430		17	23.812		31.5	24
BH36604		17.02	23.83	17.53		
BCH06604A		17.02	23.83	17.53		
8-122		17.02	23.83	17		
BCH06604(8-101-2)	BA607	17.02	23.83	17.53		
BCH06604	BA607	17.02	23.83	17.53		
DB-54703		17.02	23.83		22	18.5
8-102		17.02	23.83		20	17
N-102	BA608	17.02	23.83		20.5	17
FC-66217B		17.02	23.83		31.5	24
FC-66217A		17.02	23.83		31.5	28
FC-66217	8-109	17.02	23.83		31.5	28
DB69899E	HK475321.5TNRS	47.063	53.12	21.5		
DBF70697	203882.4	47.063	53.12		24.2	18.5
DB70216	NE70216	47	53.12	19.5		
DBF68933	DB68933	50.205	58.233		26.9	18.2
DB47937EE	202029-1	42	49	22		
DB47260EE	92635	46.95	53	24.5		
DB69516EE		56.045	63.103	25		
DB69518EE		44.042	51.1	25.1		
DB69657EE		50.045	57.1	25.1		
DB68934	NE68934	50	70	24.5		
NE70214		47.063	67.5	24.5		
DB69902		47.063	53.12	18.20		
JH14070(FC66263)	DB-59722	35.61	57.2	17.8		
JH16283	6408	41.205	64.35	21		
203883		47.063	53.12	21.5		

汽车轴承

轴承型号 Bearing Designation		外形尺寸 Boundary Dimensions							
现型号 Current Code	原型号 Original Code	Fw	d	Ew	D	B	C	C1	C2
		mm							
R1535TAV		28.18		47		16.7			
R1558TAV	C05-J-040	19.088		31.77		15.367			
R1559TV	F45087	41.201		64.292		21.082			
R1563TAV	F45084	35.56		57.16		17.78			
A9			35	65				30.4	17.1
EUR308-203		43.8	35		62		18.2		
ARE308-203		43.8	35		62		18.2		
308-203		43.8	35		60.2		18.2		
R1579F	A20		39.7		79.992			35	20.1
BRK1559TV	RP6408	41.097			65.476		39.4		
BRK1563TAV	RP5707	35.534			58.287		36.4		
A10			39.7		73.05			39.9	18.6

SFB

嘉善宝林轴承有限公司 **JIASHAN SFB BEARING CO., LTD.**

浙江省嘉善县罗星街道金秀路81号
No.81 Jinxiu Road, Luoxing Street, Jiashan
County, Zhejiang Province, China.

Mob: 0086-13967338018
Tel: 0086-573-84668895

E-mail: sfb@sfbearing.com
Web: www.sfbearing.com